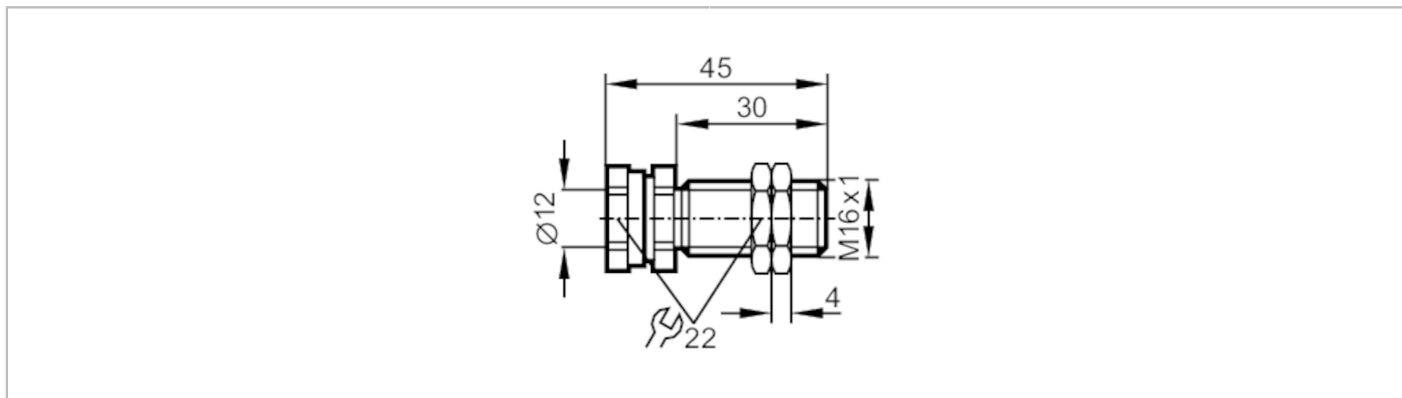


E10741



Mounting sleeve with end stop

FIXING/M12/BASIC/MS/END STOP



Application	
Design	with end stop
Mechanical data	
Weight [g]	55
Dimensions [mm]	M16 x 1
Thread designation	M16 x 1
Inside diameter [mm]	12
Materials	brass nickel-plated
Installation instruction	align the sensing face of the sensor to the right (see scale drawing)
Tightening torque [Nm]	7; (lock nuts: 20)
Accessories	
Accessories (supplied)	Nuts: 2, nickel-plated brass
Remarks	
Pack quantity	1 pcs.