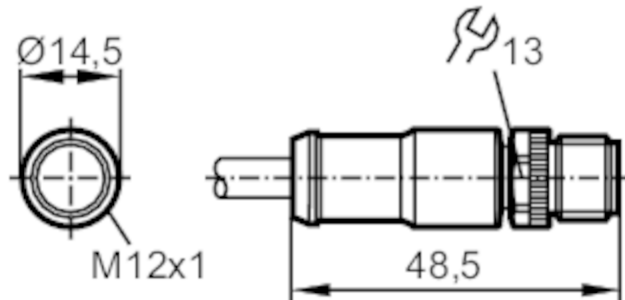


E12284



Connecting cable with plug

ASTGH050MSA0003H02



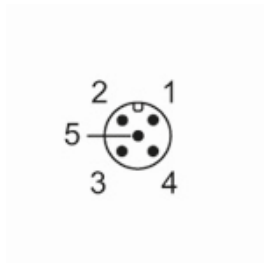
Application	
Special feature	Halogen-free; Gold-plated contacts; Screened cable
Application	CAN bus
Electrical data	
Operating voltage [V]	< 30 AC / < 36 DC
Max. current load total [A]	4
Operating conditions	
Ambient temperature [°C]	-25...85
Protection	IP 68
Mechanical data	
Weight [g]	236.7
Dimensions [mm]	14.5 x 14.5 x 48.5
Materials	PUR
Material nut	brass, nickel-plated
Remarks	
Pack quantity	1 pcs.
Electrical connection	
Cable: 3 m, PUR, Halogen-free, lilac, Ø 6.8 mm, shielded; 2 x 0.25 mm ² (19 x Ø 0.13 mm) + 2 x 0.34 mm ² (19 x Ø 0.16 mm) + 1 x 0.34 mm ² (19 x Ø 0.16 mm)	
Electrical connection - plug	
Connector: 1 x M12, straight; Moulded body: PUR; Locking: brass, nickel-plated; Contacts: gold-plated; Tightening torque: 0.5 Nm	

E12284

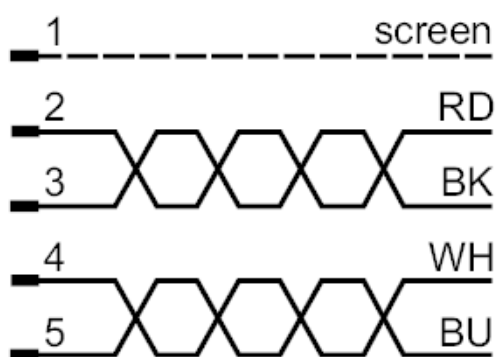


Connecting cable with plug

ASTGH050MSA0003H02



Connection



Core colours :

BK = black
BU = blue
RD = red
WH = white
screen = screen