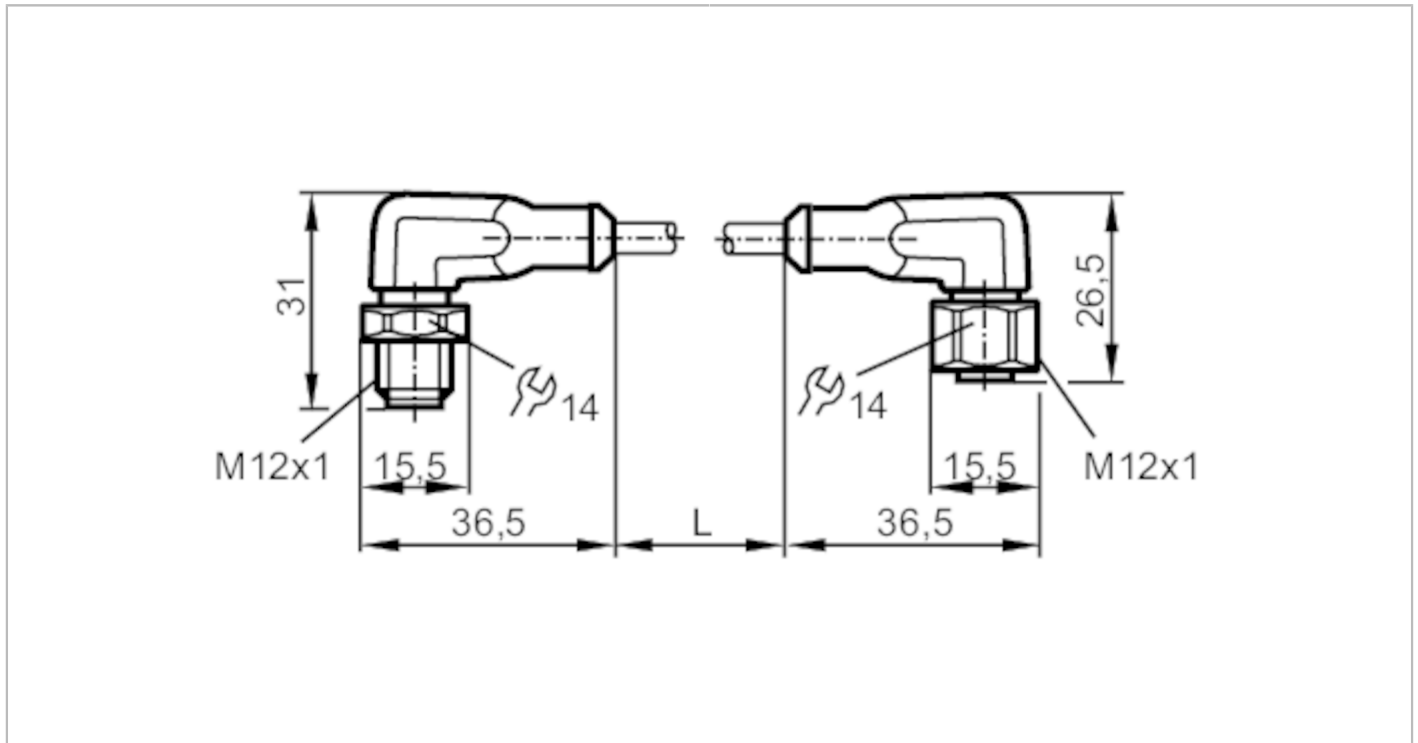


# EVC09A



## Connection cable

VDOAH040VAT00,3H04STAHO40VAT



| Application                 |   |
|-----------------------------|---|
| Special feature             | Halogen-free; Gold-plated contacts                                |
| Compatible with paint       | yes   |
| Electrical data             |   |
| Operating voltage [V]       | < 60 AC/DC  |
| Protection class            | II  |
| Max. current load total [A] | 2   |
| Operating conditions        |   |
| Ambient temperature [°C]    | -20...60  |
| Protection                  | IP 67; (outside hazardous areas: IP 68 / IP 69K)                  |
| Tests / approvals           |   |
| Approval                    | BVS 08 ATEX E 109 U; IECEx BVS 08.0041 U                          |
| ATEX marking                | II 3G Ex nA IIC Gc  |
|                             | II 2D Ex tb IIIC Db IP65/IP67                                     |
| Mechanical data             |   |
| Weight [g]                  | 53.8  |
| Dimensions [mm]             | 31 x 15.5 x 36.5  |
| Materials                   | housing: TPU orange; Sealing: FKM                                 |
| Material nut                | stainless steel (1.4404 / 316L) / stainless steel (1.4404 / 316L) |
| Remarks                     |   |
| Pack quantity               | 1 pcs.  |

# EVC09A



## Connection cable

VDOAH040VAT00,3H04STAH040VAT

### Electrical connection - plug

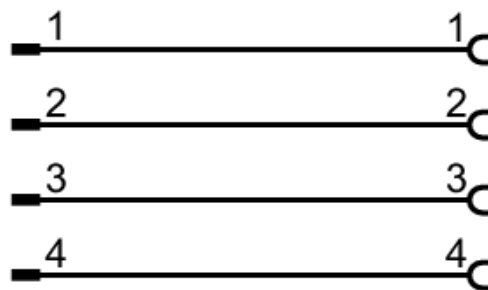
Connector: 1 x M12, angled; Locking: stainless steel (1.4404 / 316L); Contacts: gold-plated; Tightening torque: 1.2...1.5 Nm



### Electrical connection

Cable: 0.3 m, PUR, Halogen-free, black, Ø 4.9 mm; 4 x 0.34 mm<sup>2</sup> (42 x Ø 0.1 mm )

### Connection



### Electrical connection - socket

Connector: 1 x M12, angled; Locking: stainless steel (1.4404 / 316L); Contacts: gold-plated; Tightening torque: 1.2...1.5 Nm

