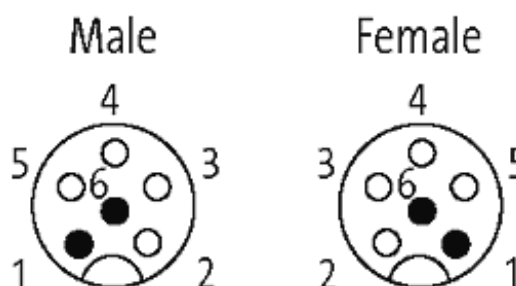
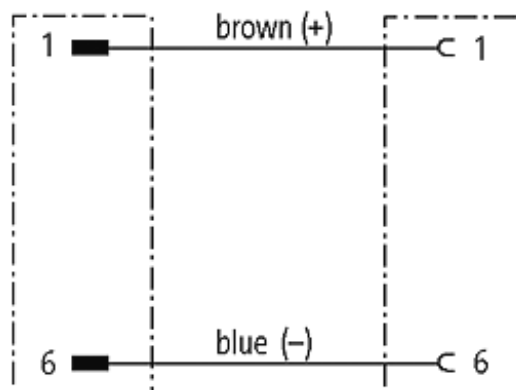
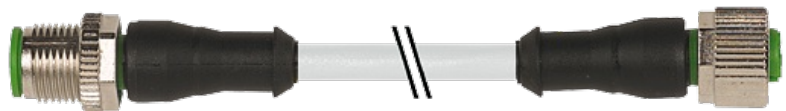


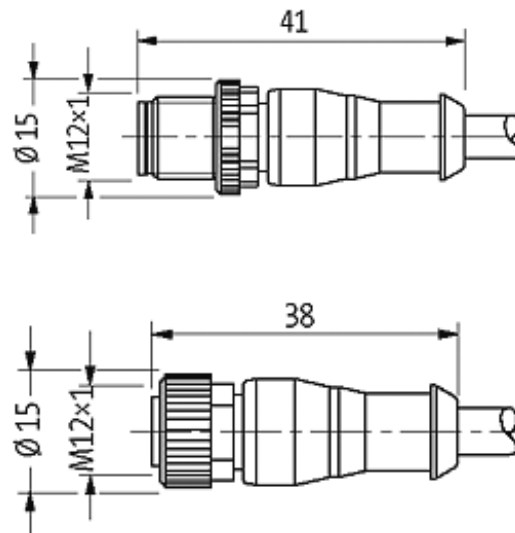
M12 MALE 0° / M12 FEMALE 0° CUBE 67

PUR 2x0,5 GRAY, UL/CSA, drag ch 0.6m

Cube67, 6-pole
 Actuator supply external
 Male straight to female straight
 M12 - M12
 2-pole used

Further cable lengths on request. Plastic housings with good resistance against chemicals and oils. The resistance to aggressive media should be individually tested for your application. Further details on request.

[Link to Product](#)**Illustration**



Product may differ from Image

Approvals



More Info

Cube67

Form

46001

Technical Data

| | |
|-------------------------------|---|
| Protection | IP67 inserted and tightened (EN 60529) |
| Operating voltage | max. 125 V AC/DC |
| Operating current per contact | max. 4 A |
| Locking of ports | Screw thread M12 × 1 mm (recommended torque 0.6 Nm) self-securing |

Cables

| | |
|-----------------------------|-------------------------|
| Cable number | 414 |
| No./diameter of wires | 2 × 0.5 mm ² |
| Wire isolation | PP (br, bl) |
| C-track properties | 5 Mio. |
| Torsion | 2 Mio. ± 180°/m |
| Jacket Color | gray |
| Shore hardness outer jacket | 90 ± 5A |
| Material (jacket) | PUR (UL/CSA) |
| Outer diameter | approx. 4.4 mm |
| Bend radius (fixed) | 5 × outer Ø |

| | |
|----------------------------|--------------|
| Bend radius (moving) | 10 × outer Ø |
| Temperature range (fixed) | -40...+80 °C |
| Temperature range (mobile) | -25...+80 °C |

General data

| | |
|-------------------|--|
| Temperature range | -25...+85 °C, depending on cable quality |
|-------------------|--|

Commercial data

| | |
|------------------------|----------|
| country of origin | DE |
| customs tariff number | 85444290 |
| minimum order quantity | 1 |