

## Features

- 2-channel signal conditioner
- 24 V DC supply (loop powered)
- Relay contact output
- Logic input 15 V DC ... 30 V DC, non-polarized
- Up to SIL3 acc. to IEC 61508

## Function

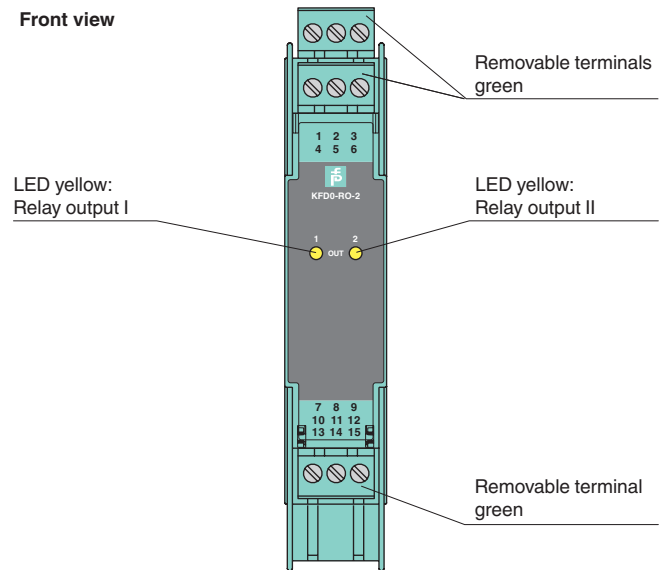
This signal conditioner provides the galvanic isolation between field circuits and control circuits.

The device switches circuits on the field side. Typical applications for the use of the device are remote reset, fire alarm testing or remote calibration of strain gauges.

The outputs are galvanically isolated to the inputs. The inputs are not polarized and share a common reference potential.

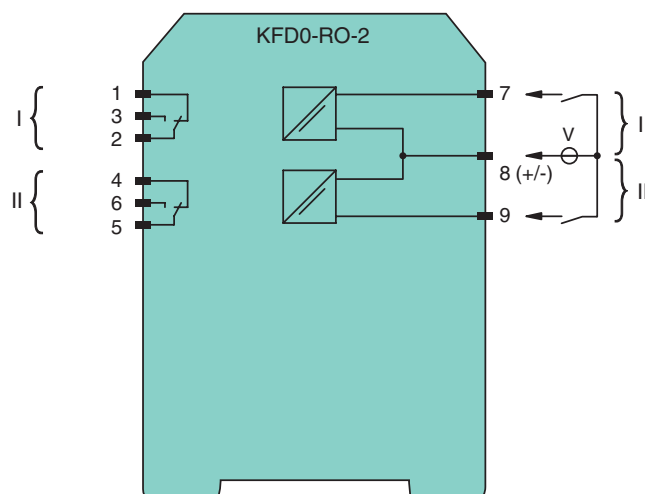
Each input of the device is protected by a fuse and an electronic current limiting.

## Assembly



CE

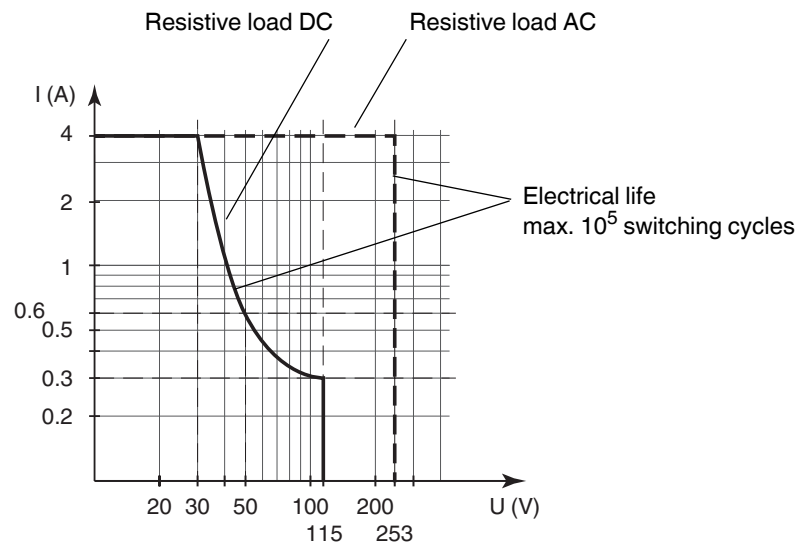
## Connection



<b>General specifications</b>	
Signal type	Digital Output
<b>Supply</b>	
Power loss	0.8 W
<b>Input</b>	
Connection	terminals 7, 8, 9
Input voltage	15 ... 30 V DC
Input current	≤ 21 mA per channel
<b>Output</b>	
Connection	terminals 1, 2, 3; 4, 5, 6
Contact loading	230 V AC/4 A/cos φ > 0.7; 30 V DC/4 A resistive load
Energized/De-energized delay	approx. 10 ms / approx. 5 ms
Mechanical life	5 x 10 <sup>6</sup> switching cycles
Electrical life	10 <sup>5</sup> switching cycles , at maximum load
<b>Transfer characteristics</b>	
Switching frequency	< 10 Hz
<b>Electrical isolation</b>	
Input/Output	reinforced insulation according to IEC/EN 61010-1, rated insulation voltage 300 V <sub>eff</sub>
Output/Output	basic insulation according to IEC/EN 61010-1, rated insulation voltage 300 V <sub>eff</sub>
<b>Directive conformity</b>	
Electromagnetic compatibility	
Directive 2004/108/EC	EN 61326-1:2006
Low voltage	
Directive 2006/95/EC	EN 61010-1:2010
<b>Conformity</b>	
Electromagnetic compatibility	NE 21:2006
Degree of protection	IEC 60529:2001
<b>Ambient conditions</b>	
Ambient temperature	-20 ... 65 °C (-4 ... 149 °F)
<b>Mechanical specifications</b>	
Degree of protection	IP20
Mass	approx. 100 g
Dimensions	20 x 119 x 115 mm (0.8 x 4.7 x 4.5 in) , housing type B2
Mounting	on 35 mm DIN mounting rail acc. to EN 60715:2001
<b>General information</b>	
Supplementary information	Statement of Conformity, Declaration of Conformity, Attestation of Conformity and instructions have to be observed where applicable. For information see <a href="http://www.pepperl-fuchs.com">www.pepperl-fuchs.com</a> .

Release date 2015-06-22 09:00 Date of issue 2015-06-22 247196\_eng.xml

**Maximum switching power of output contacts**



The maximum number of switching cycles is depending on the electrical load and may be higher when reduced currents and voltages are applied.