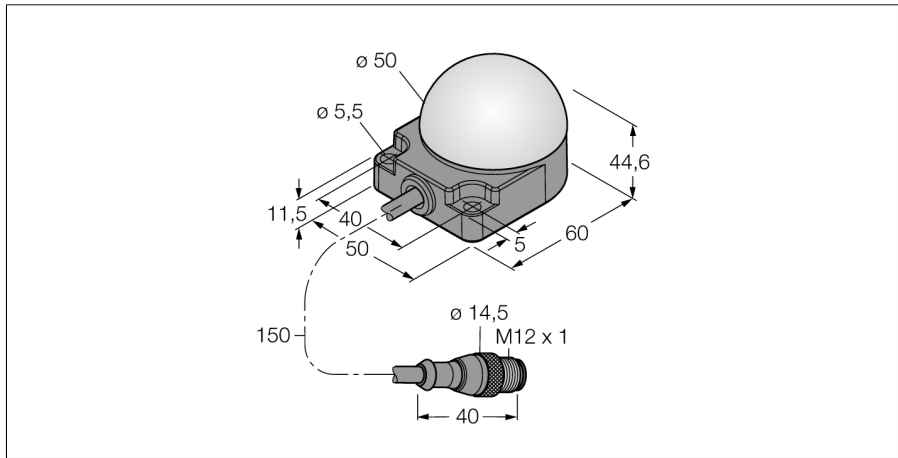
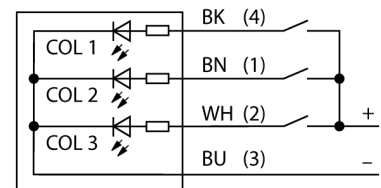


**LED indicator  
beacon  
K50FLGRXPQP**



- LED all-round visible
- Flat mounting
- Individually controllable
- Protection classes IP67/IP69K
- Multicolor: Green (COL 1) / Red (COL 2)
- Kabel mit Steckverbinder M12X1, 5-polig
- Betriebsspannung 18...30 VDC

**Wiring Diagram**



**Functional principle**

The LED is IP67 rated and thus qualified for industrial applications. Depending on the pin assignment, one of the three colors lights either steady or flashes during the period of one PNP input signal. The "2" in the type code indicates the programmable flashing function of the LED. When connecting the brown and the black wire to common ground the LED starts flashing red. You find a more detailed description of the terminal programming in the instruction leaflet delivered with the item. Alternate flashing of all colors is also possible.

<b>Type designation</b>	K50FLGRXPQP
Ident no.	3083418
<b>Purpose</b>	LED indicator light
Operating mode	Spotlight
Design	Cylinder, threaded
Connector designation	K50F
Dimensions	44.6 x 50 x 76 mm
Housing material	Plastic, PC
Window material	Plastic, diffuse
Electrical connection	Cable with connector, M12 ← 1, 4-wire
Cable length	0.15 m
Protection class	IP67/IP69K
Ambient temperature	-40...+50 °C
Approvals	CE
<b>Operating voltage</b>	18...30 VDC
DC rated operational current	≤ 40 mA
<b>Light type</b>	green red

**LED indicator  
beacon  
K50FLGRXPQP**

**TURCK**

Industrial  
Automation

**Accessories**

Type code	Ident no.	Description	
SMB30A	3032723	Mounting bracket, rectangular, stainless steel, for sensors with 30mm thread	
SMB30SC	3052521	Mounting bracket, PBT black, for sensors with 30 mm thread, rotatable	

**Wiring accessories**

Type code	Ident no.	Description	
WKC4.4T-2/TEL	6625025	Connection cable, female M12, angled, 4-pin, cable length: 2 m, sheath material: PVC, black; cULus approval; other cable lengths and qualities available, see <a href="http://www.turck.com">www.turck.com</a>	
RKC4.4T-2/TEL	6625013	Connection cable, female M12, straight, 4-pin, cable length: 2 m, sheath material: PVC, black; cULus approval; other cable lengths and qualities available, see <a href="http://www.turck.com">www.turck.com</a>	