

E70 Series



Splashproof Sub-Miniature Snap-Action Switches

[Back to Main Products Page](#)

[Snap-Action Switch News](#)

[Find a Rep / Distributor](#)

[Request Quotation](#)

[Ask a Question](#)

[Application Help](#)

[Request a Sample](#)

[Request a Catalog](#)

[Download Drawings \(.dxf\)](#)

[Competitor Cross Reference](#)

[Application Showcase](#)

[RoHS Compliance](#)

[Switch Parametric Search](#)

Text Search

 [▶ go](#)

Product Series Search

 [▶ go](#)

Check Distributor Stock

 [▶ go](#)

To download a PDF of the **Cherry Switches Master Catalog**, [click here](#).

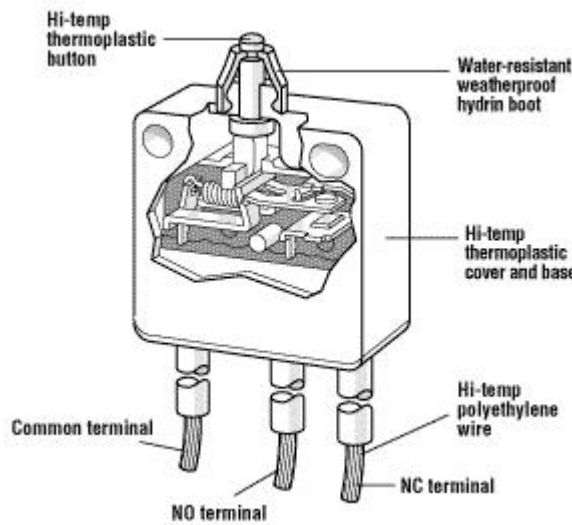


To download the latest version of Adobe Acrobat Reader, [click here](#).



FEATURES

- | Moisture resistant
- | 3 contact arrangements
- | Long life coil spring mechanism
- | Choice of button or hinged actuator
- | 10-inch, 16 gauge leads attached
- | Custom wire and harness designs available upon request



[Click for Larger View](#)

E70 SERIES



[download PDF](#)

ELECTRICAL RATINGS

Switch Series	EN61058 Rating	UL1054 Rating	Electrical Life at Rated Load	
			According to VDE (Min. Operations)	According to UL (Min. Operations)
E72	N/A	10.1A, 1/4HP, 125/250VAC	N/A	6,000
E73	N/A	0.1A, 125VAC	N/A	6,000

SPECIFICATIONS

Electrical

Temperature Rating: -40° to +85°C

Flammability Rating: UL94V-O

Materials

Case: Hi-Temp Thermoplastic Nylon

Boot: Hydrin

Button: Hi-Temp Thermoplastic Nylon

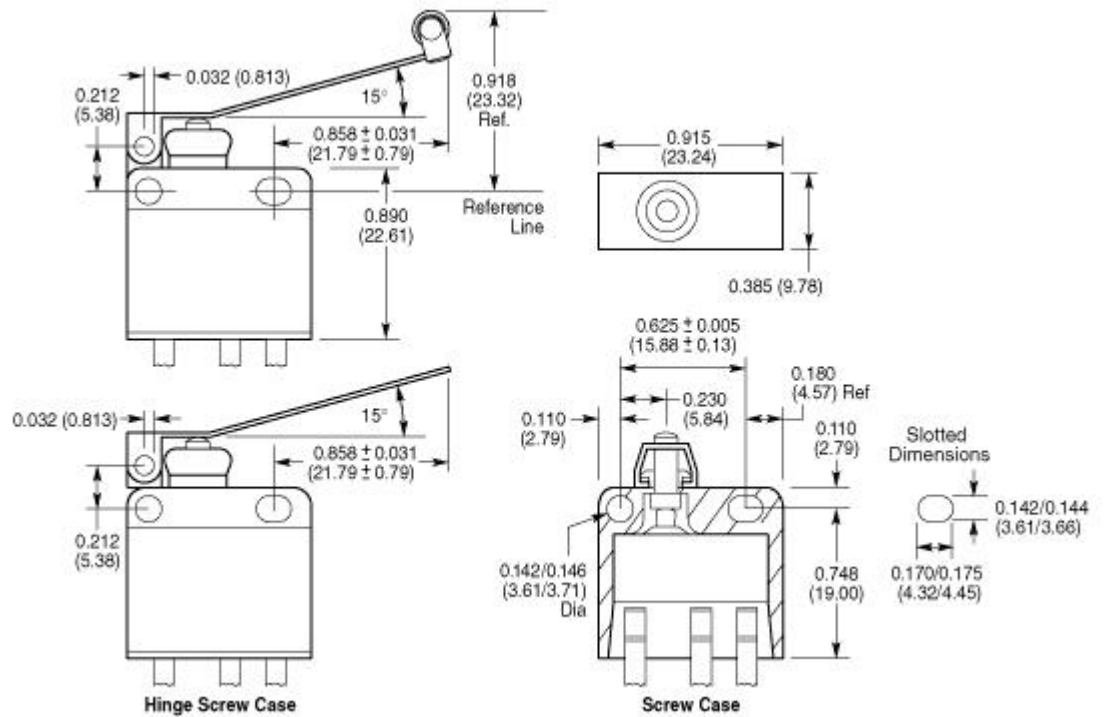
Actuator: Stainless Steel

Potting: Macromelt Polyamide

Contacts: Silver Alloy (E72), Gold Crosspoint (E73)

APPROVALS

DIMENSIONS



Inches (mm)

[Click for Larger View](#)

ACTUATOR SPECIFICATIONS

Actuator Code	Actuator Type	Maximum Operating Force (g)	Max. Pre-Travel inches (mm)	Operating Point inches (mm)	Min. Over-Travel inches (mm)	Max. Movement Differential inches (mm)	Max. Rest Position inches (mm)
-40AT	Button	300	0.040 (1.02)	0.310 ±0.350 (7.87 ±8.99)	0.035 (0.89)	0.004 (0.10)	0.390 (9.91)
-40HT	Lever	67	0.275 (6.99)	0.440 ±0.750 (11.18 ±19.05)	0.100 (2.54)	0.024 (0.61)	0.972 (24.69)
-40KT	Roller	75	0.240 (6.10)	0.762 ±0.125 (19.36 ±3.18)	0.125 (3.18)	0.025 (0.635)	1.041 (26.44)

ORDERING INFORMATION

Actuator	Silver Contacts	Gold Contacts
Button	E72-40AT	E73-40AT
Lever	E72-40HT	E73-40HT
Roller	E72-40KT	E73-40KT

Specifications subject to change without notice.