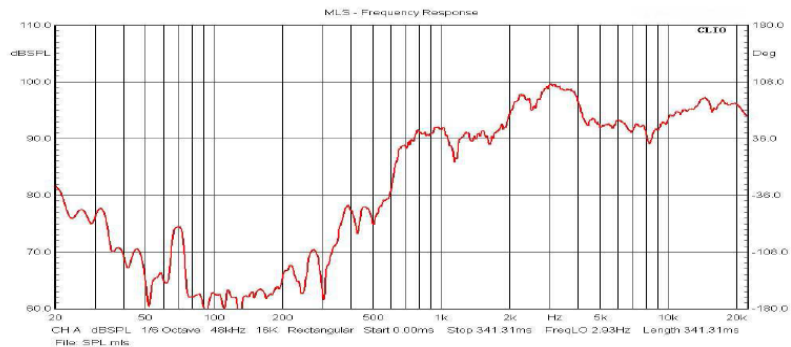
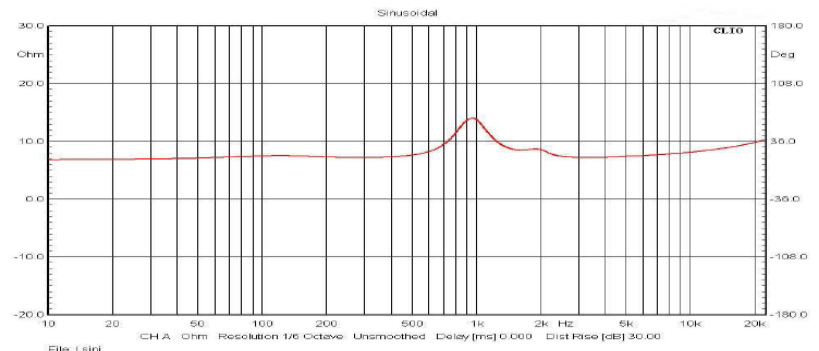
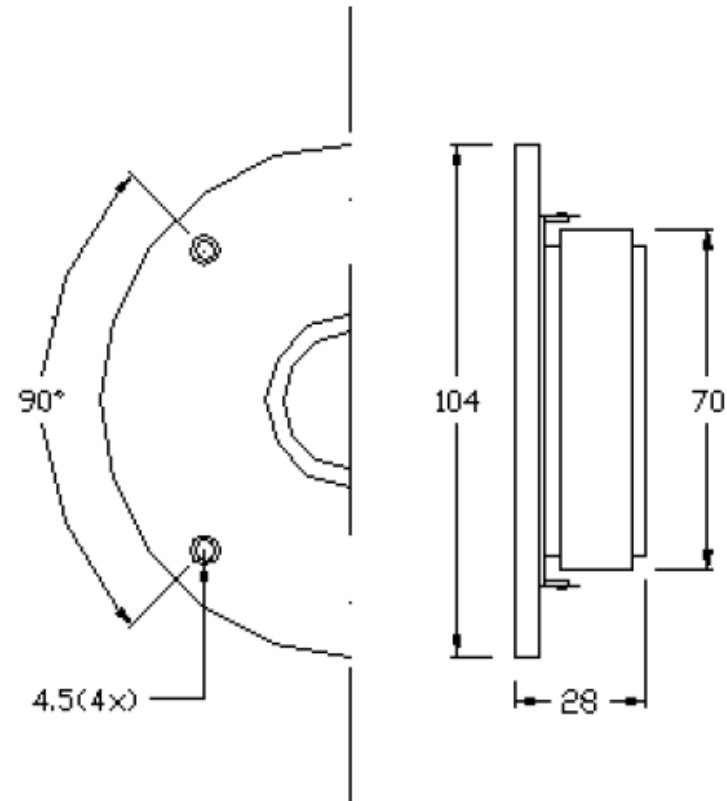


# MCM AUDIO SELECT™

www.mcmelectronics.com

<b>Model Number:</b>	<b>53-1080</b>
1" Soft Dome Tweeter	
Frequency Response: 1500Hz ~ 20KHz	
10oz Magnet Structure	
1" Voice Coil	
SPL: 92dB (W/M)	
Power Capacity: 30W/60W RMS/Peak	





ALL DIMENSIONS IN MILLIMETERS