

VW3A4556

line choke - 0.3 mH - 107 A - 3 phases - 260 W - for variable speed drive



Main

Range of product	Altivar
Product or component type	Line/motor choke
Product compatibility	<p>ATV71HD75Y - line choke - 1 per drive</p> <p>ATV61HD15M3X - line choke - 1 per drive</p> <p>ATV61HD30N4 - line choke - 1 per drive</p> <p>ATV61HD37N4 - line choke - 1 per drive</p> <p>ATV61HD45N4 - line choke - 1 per drive</p> <p>ATV61HD55N4 - line choke - 1 per drive</p> <p>ATV61HD55Y - line choke - 1 per drive</p> <p>ATV61HD75Y - line choke - 1 per drive</p> <p>ATV61HD90Y - line choke - 1 per drive</p> <p>ATV61WD30N4 - line choke - 1 per drive</p> <p>ATV61WD30N4C - line choke - 1 per drive</p> <p>ATV61WD37N4 - line choke - 1 per drive</p> <p>ATV61WD37N4C - line choke - 1 per drive</p> <p>ATV61WD45N4 - line choke - 1 per drive</p> <p>ATV61WD45N4C - line choke - 1 per drive</p> <p>ATV61WD55N4 - line choke - 1 per drive</p> <p>ATV61WD55N4C - line choke - 1 per drive</p> <p>ATV71HD15M3X - line choke - 1 per drive</p> <p>ATV71HD30N4 - line choke - 1 per drive</p> <p>ATV71HD37N4 - line choke - 1 per drive</p> <p>ATV71HD45N4 - line choke - 1 per drive</p> <p>ATV71HD55N4 - line choke - 1 per drive</p> <p>ATV71HD55Y - line choke - 1 per drive</p> <p>ATV71HD90Y - line choke - 1 per drive</p> <p>ATV71WD30N4 - line choke - 1 per drive</p> <p>ATV71WD37N4 - line choke - 1 per drive</p> <p>ATV71WD45N4 - line choke - 1 per drive</p> <p>ATV71WD55N4 - line choke - 1 per drive</p> <p>Variable speed drive ATV340 motor : 22 kW 380...480 V - line choke - 1 per drive</p> <p>Variable speed drive ATV320 motor : 11 kW 200...240 V - three phase - motor choke - 1 per drive</p> <p>Variable speed drive ATV320 motor : 15 kW 200...240 V - three phase - motor choke - 1 per drive</p> <p>Variable speed drive ATV630 motor : 55 kW 500...690 V - three phase - line choke - 1 per drive</p> <p>Variable speed drive ATV630 motor : 75 kW 500...690 V - three phase - line choke - 1 per drive</p> <p>Variable speed drive ATV630 motor : 90 kW 500...690 V - three phase - line choke - 1 per drive</p> <p>Variable speed drive ATV930 motor : 55 kW 500...690 V - three phase - line choke - 1 per drive</p> <p>Variable speed drive ATV930 motor : 75 kW 500...690 V - three phase - line choke - 1 per drive</p> <p>Variable speed drive ATV930 motor : 90 kW 500...690 V - three phase - line choke - 1 per drive</p> <p>Variable speed drive ATV630 motor : 600 V - three phase - line choke - 75 hp - 1 per drive</p> <p>Variable speed drive ATV630 motor : 600 V - three phase - line choke - 100 hp - 1 per drive</p> <p>Variable speed drive ATV930 motor : 600 V - three phase - line choke - 100 hp - 1 per drive</p> <p>Variable speed drive ATV930 motor : 600 V - three phase - line choke - 75 hp - 1 per drive</p>
Network number of phases	Three phase
Range compatibility	<p>Altivar 61</p> <p>Altivar 71</p> <p>Altivar Process ATV600</p> <p>Altivar Process ATV900</p> <p>Altivar Machine ATV320</p> <p>Altivar Machine ATV340</p>
Device application	Reduction of current harmonics

The information provided in this documentation contains general descriptions and/or technical characteristics of the products contained herein. This documentation is not intended as a substitute for and is not to be used for determining suitability or reliability of these products for specific user applications. It is the duty of any such user or integrator to perform the appropriate and complete risk analysis, evaluation and testing of the products with respect to the relevant specific application or use thereof. Neither Schneider Electric Industries SAS nor any of its affiliates or subsidiaries shall be responsible or liable for misuse of the information contained herein.

	Reduction of overvoltages at motor terminals
Value of inductance	0.3 mH
[In] rated current	107 A
Thermal losses	260 W
Electrical connection	Bare wires, Ø = 6.5 mm

Complementary

Supply frequency	50...60 Hz
Max current	1.65 x nominal current for 60 s
Voltage drop at rated load	5 %
Electrical insulation class	Class F
Clearance distance	5.5 mm conforming to IEC 60664
Leakage distance	11.5 mm conforming to IEC 60664
Product weight	16 kg
Width	270 mm
Height	210 mm
Depth	180 mm

Environment

standards	EN 50178 IEC 60076 (with HD398) VDE 0160 level 1
IP degree of protection	IP00 (choke) IP00 (terminals)
environmental characteristic	3B1 conforming to IEC 721-3-3 3C2 conforming to IEC 721-3-3 3S1 conforming to IEC 721-3-3
pollution degree	2 conforming to EN 50178
vibration resistance	1.5 mm peak to peak (f = 3...13 Hz) conforming to IEC 60068-2-6 1 gn (f = 13...200 Hz) conforming to IEC 60068-2-6
shock resistance	15 gn for 11 ms conforming to IEC 60068-2-27
relative humidity	0...95 %
ambient air temperature for operation	> 45...< 55 °C with current derating of 2 % per °C 0...45 °C without current derating
ambient air temperature for storage	-25...70 °C
operating altitude	<= 1000 m without current derating 1000...3000 m with current derating 1 % per 100 m

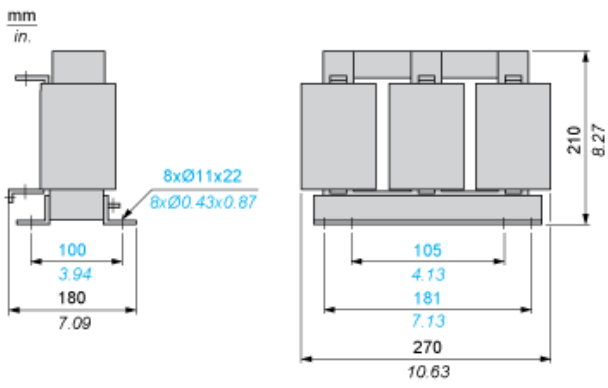
Offer Sustainability

Sustainable offer status	Not Green Premium product
RoHS (date code: YYWW)	Compliant - since 0801 - Schneider Electric declaration of conformity

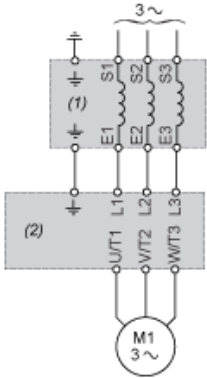
Contractual warranty

Warranty period	18 months
-----------------	-----------

Dimensions

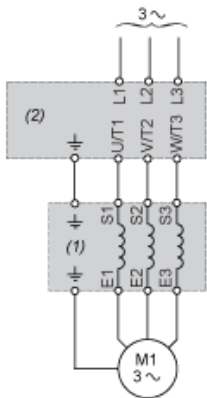


Recommended Schema - Line Choke



- (1) Line Choke
- (2) Drive

Recommended Schema - Motor Choke



- (1) Motor Choke
- (2) Drive