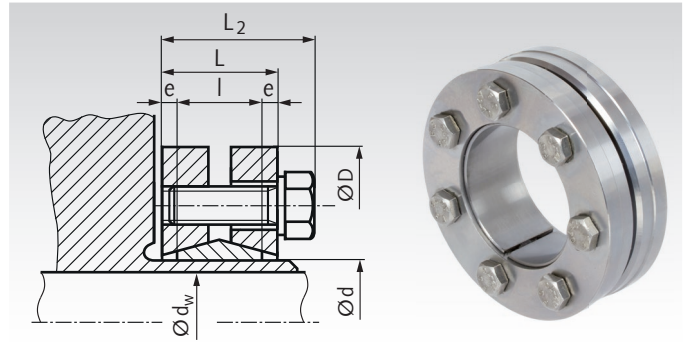


Shrink Disks ST-R, Stainless

Material: Stainless steel 1.4057 (AISI 431).



- For medium torques.
- No axial shaft-hub movement.
- Quick mounting.
- Quick demounting.
- Not self-centering.
- Concentricity 0.02-0.04 mm.



Ordering Details: e.g.: Product No. 61599814, Shrink Disk ST-R, Inner-Ø 14 mm

| Product No. | Inner-Ø d mm | Shaft-Ø ¹⁾ d _w mm | Torque ²⁾ T Nm | D mm | L mm | L ₂ mm | l mm | e mm | Fit tol. max. mm | Screws ISO 4017 No. x Size | Fastening Torque T _A Nm | Contact- pressure P _w N/mm ² | Weight kg |
|-------------|--------------------|---|---------------------------------|---------|---------|----------------------|---------|---------|------------------------|----------------------------------|--|--|--------------|
| 615 998 14 | 14 | 10 | 32 | 38 | 15 | 18,5 | 10 | 2,5 | 0,014 | 4 x M5 x 12 | 2,4 | 123 | 0,10 |
| | | 11 | 40 | | | | | | | | | 153 | |
| | | 12 | 52 | | | | | | | | | 194 | |
| 615 998 16 | 16 | 12 | 52 | 41 | 17 | 20,5 | 12 | 2,5 | 0,014 | 5 x M5 x 16 | 2,4 | 86 | 0,14 |
| | | 13 | 64 | | | | | | | | | 121 | |
| | | 14 | 76 | | | | | | | | | 152 | |
| 615 998 20 | 20 | 15 | 88 | 46 | 17 | 20,5 | 12 | 2,5 | 0,017 | 5 x M5 x 16 | 3,2 | 164 | 0,17 |
| | | 16 | 104 | | | | | | | | | 186 | |
| | | 17 | 120 | | | | | | | | | 206 | |
| 615 998 24 | 24 | 19 | 176 | 50 | 20 | 23,5 | 14 | 3 | 0,017 | 6 x M5 x 18 | 3,2 | 151 | 0,22 |
| | | 20 | 224 | | | | | | | | | 167 | |
| | | 21 | 264 | | | | | | | | | 182 | |
| 615 998 30 | 30 | 24 | 280 | 60 | 22 | 25,5 | 16 | 3 | 0,017 | 7 x M5 x 18 | 3,2 | 127 | 0,33 |
| | | 25 | 320 | | | | | | | | | 138 | |
| | | 26 | 376 | | | | | | | | | 147 | |
| 615 998 36 | 36 | 28 | 584 | 72 | 23,5 | 27,5 | 18 | 2,75 | 0,032 | 5 x M6 x 20 | 9,6 | 186 | 0,52 |
| | | 30 | 688 | | | | | | | | | 192 | |
| | | 31 | 704 | | | | | | | | | 200 | |
| 615 998 40 | 40 | 30 | 616 | 72 | 23,5 | 27,5 | 18 | 2,75 | 0,032 | 6 x M6 x 20 | 9,6 | 173 | 0,50 |
| | | 31 | 640 | | | | | | | | | 178 | |
| | | 32 | 660 | | | | | | | | | 184 | |
| 615 998 44 | 44 | 32 | 960 | 80 | 25,5 | 29,5 | 20 | 2,75 | 0,032 | 7 x M6 x 20 | 9,6 | 180 | 0,64 |
| | | 35 | 1120 | | | | | | | | | 188 | |
| | | 36 | 1200 | | | | | | | | | 195 | |
| 615 998 50 | 50 | 38 | 1200 | 90 | 27,5 | 31,5 | 22 | 2,75 | 0,032 | 8 x M6 x 25 | 9,6 | 163 | 0,87 |
| | | 40 | 1440 | | | | | | | | | 175 | |
| | | 42 | 1680 | | | | | | | | | 186 | |
| 615 998 55 | 55 | 42 | 1360 | 100 | 30,5 | 34,5 | 23 | 3,75 | 0,032 | 8 x M6 x 25 | 9,6 | 141 | 1,18 |
| | | 45 | 1680 | | | | | | | | | 154 | |
| | | 48 | 2080 | | | | | | | | | 168 | |
| 615 998 62 | 62 | 48 | 2160 | 110 | 30,5 | 34,5 | 23 | 3,75 | 0,048 | 10 x M6 x 25 | 9,6 | 170 | 1,41 |
| | | 50 | 2400 | | | | | | | | | 174 | |
| | | 52 | 2560 | | | | | | | | | 178 | |
| 615 998 68 | 68 | 50 | 2000 | 115 | 30,5 | 34,5 | 23 | 3,75 | 0,048 | 10 x M6 x 25 | 9,6 | 147 | 1,46 |
| | | 55 | 2480 | | | | | | | | | 150 | |
| | | 60 | 3280 | | | | | | | | | 170 | |

¹⁾ Shaft-Ø of the customer's machine (for example). ²⁾ Transmittable values with shaft-Ø d_w of the customer's machine, if the fit tolerance is complied.

More sizes up to inner-Ø d=280mm, for shaft diameter 230mm and 260,000Nm are available on request.

Surface Roughness, Tolerances and Mounting

Roughness: max, R_Z=16 µm. Outer-Ø tolerance of hub = h9.
Recommended tolerances for hub bore / shaft diameter:
from d_w Ø 30 = H6/j6; Ø 31-50 = H6/h6; Ø 51-65 = H6/g6.

It is essential to degrease the contact surfaces of shaft and hub bore. Lubricate only the shrink disk and the screws with MoS₂ and place it on the hub. Turn in the screws evenly by hand.

Fasten the tensioning screws evenly, in sequence (not crossing over) until the fastening torque T_A of the table is reached. To reach the value of T_A, several fastening steps are required. The figures for T stated in the table were calculated for a lubricated shrink disk.