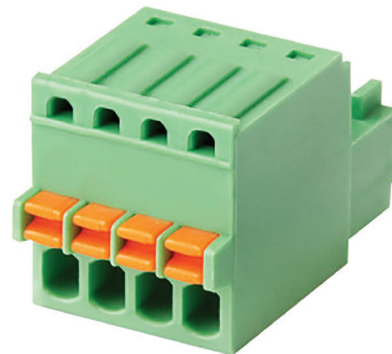


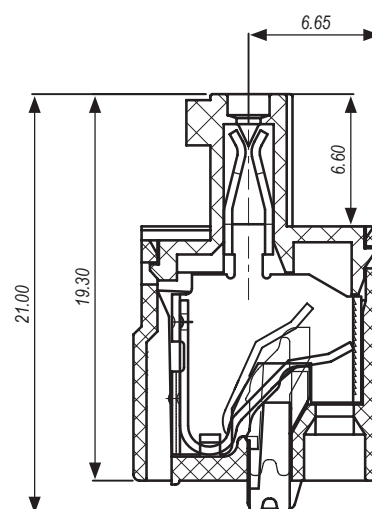
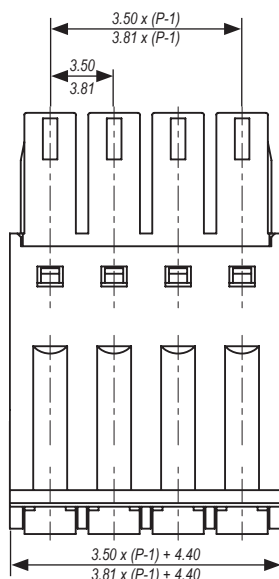
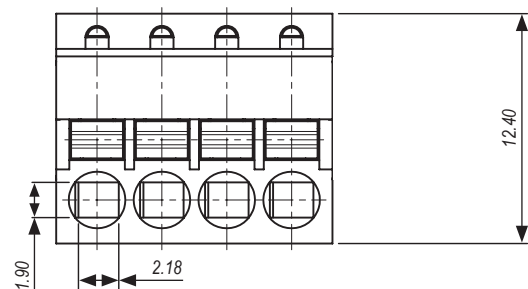
# Terminal Block Plug Horizontal Screwless 20.1551M/xx-E (21.1551M/xx-E)

- 300V 8A UL
- UL94-V0
- PA66
- 3.50mm (3.81mm) Pin Pitch
- RoHS Compliant
- xx = Number of Poles (available from 2~24 poles)



## Technical Data

Pitch	3.50mm (3.81mm)
UL Rating	300V 8Amps
IEC Rating	250V 7Amps
Solder Pin	n/a
Wire Range	28-16AWG (1.5mm <sup>2</sup> )
PCB Hole Diameter	n/a
Screw	n/a
Screw Torque	n/a
Insulation Voltage	AC2000V / 1 Min
Initial Contact Resistance	20mΩ
Insulation Resistance	500MΩ / DC500V
Temperature Range	-40 to +105°C
Max Soldering	+250°C for 5 sec



Dimensions shown in mm      P = No of Poles

Supplied in green as standard  
Other colour options and printing may be available depending upon quantity  
Please contact IMO for further information