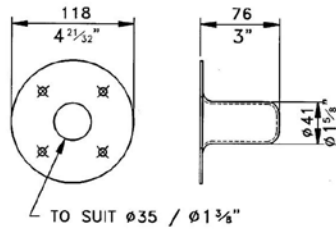


**M1551**

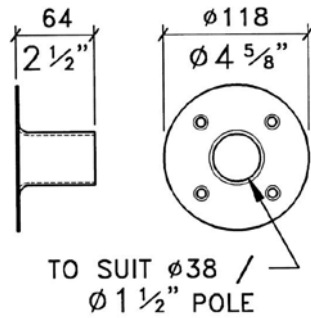
Heavy Duty Drawn Steel Top Hat



Material: 2.0mm/14 gauge Steel

Part No.	Finish	Description	Weight
<b>M1551</b>	Black	76mm/2.99" Deep Top Hat to Suit 1/2 35mm/1.38" Poles	0.27Kg/0.6Lb
<b>M155150</b>		50mm/1.97" Deep Top Hat to Suit 1/2 35mm/1.38" Poles	0.26Kg/0.58Lb
<b>M1552</b>		76mm/2.99" Deep Top Hat to Suit 1/2 38mm/1.5" Poles	
<b>M1551/BP</b>	Black	Steel Backplate for M1551 & M1552 Top Hats	0.13Kg/0.29Lb
<b>M1551G</b>	Black	Chloroprene Rubber Gasket for M1551 & M1552 Top Hats	0.13Kg/0.29Lb

**M155238**

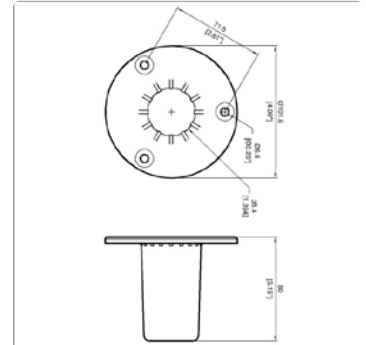


Top Hat Guide.

Material: 2.0mm/14 gauge Steel

Part No.	Finish	Description	Weight
<b>M155135</b>	Black	For 35mm/1.38"	0.27Kg/0.6Lb
<b>M155238</b>	Black	For 38mm/1.5"	0.27Kg/0.6Lb
<b>M155250</b>	Black	For 50mm/1.97"	0.27Kg/0.6Lb

**M1557**



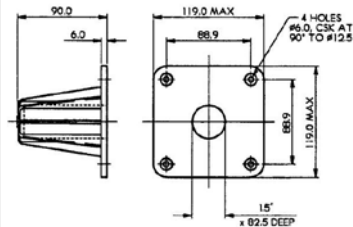
Zinc Die-cast Top Hat.

M1557 Diameter = 35mm/1.38"  
M1557/38 Diameter = 38mm/1.5"

Material: Diecast Zinc

Part No.	Finish
<b>M1557</b>	Black
<b>M1557W</b>	White
<b>M1557/38</b>	Black

**M1532 - M1534**

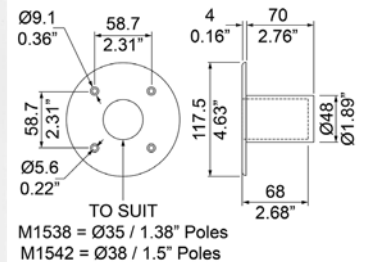


Speaker Mounting Top Hat  
M1532 Diameter = 35mm/1.38"  
M1534 Diameter = 38mm/1.5"

Material: Plastic

Part No.	Finish	Diameter	Weight
<b>M1534</b>	Black	38mm/1.5"	60g/2.12oz
<b>M1532</b>	Black	35mm/1.38"	0.11Kg/0.24Lb

**M1542**



Speaker Mounting Top Hat  
M1538 = 35mm/1.38" Dia.  
M1542 = 38mm/1.5" Dia.

Material: Plastic

Part No.	Finish	Diameter	Weight
<b>M1538</b>	Black	35mm/1.38"	69g/2.43oz
<b>M1542</b>	Black	38mm/1.5"	72g/2.54oz