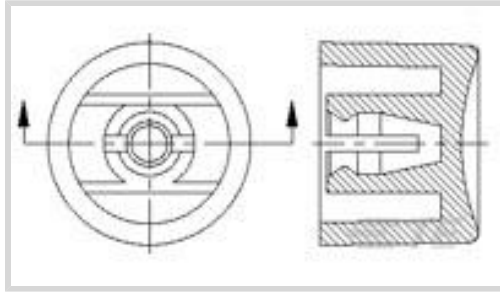




Relays, Contactors & Switches > Switches > Hardware & Seals



Switch Boot Accessory Type: **Pushbutton Switch Boot Seal**

Switch Boot & Accessory For Use With: **Green Series Push Button Switches**

Style: **Round**

Switch Boot & Accessory Color: **Red**

Features

Product Type Features

Product Type	Accessory
Switch Boot Accessory Type	Pushbutton Switch Boot Seal
Style	Round

Body Features

Cap Color	Red
Switch Boot & Accessory Color	Red

Dimensions

Cap Height	8 mm [.315 in] .402 in
------------	---------------------------

Operation/Application

Switch Boot & Accessory For Use With	Green Series Push Button Switches
--------------------------------------	-----------------------------------

Other

Comment	See Drawings 1805040 and 1805041 for switches.
---------	--

Product Compliance

[For compliance documentation, visit the product page on TE.com>](#)

EU RoHS Directive 2011/65/EU	Compliant
EU ELV Directive 2000/53/EC	Compliant



China RoHS 2 Directive MIIT Order No 32, 2016	No Restricted Materials Above Threshold
EU REACH Regulation (EC) No. 1907/2006	Current ECHA Candidate List: JAN 2021 (211) Candidate List Declared Against: JUL 2019 (201) SVHC > Threshold: Not Yet Reviewed
Halogen Content	Low Halogen - Br, Cl, F, I < 900 ppm per homogenous material. Also BFR/CFR/PVC Free
Solder Process Capability	Wave solder capable to 265°C

Product Compliance Disclaimer

This information is provided based on reasonable inquiry of our suppliers and represents our current actual knowledge based on the information they provided. This information is subject to change. The part numbers that TE has identified as EU RoHS compliant have a maximum concentration of 0.1% by weight in homogenous materials for lead, hexavalent chromium, mercury, PBB, PBDE, DBP, BBP, DEHP, DIBP, and 0.01% for cadmium, or qualify for an exemption to these limits as defined in the Annexes of Directive 2011/65/EU (RoHS2). Finished electrical and electronic equipment products will be CE marked as required by Directive 2011/65/EU. Components may not be CE marked. Additionally, the part numbers that TE has identified as EU ELV compliant have a maximum concentration of 0.1% by weight in homogenous materials for lead, hexavalent chromium, and mercury, and 0.01% for cadmium, or qualify for an exemption to these limits as defined in the Annexes of Directive 2000/53/EC (ELV). Regarding the REACH Regulation, the information TE provides on SVHC in articles for this part number is based on the latest European Chemicals Agency (ECHA) 'Guidance on requirements for substances in articles' posted at this URL: <https://echa.europa.eu/guidance-documents/guidance-on-reach>

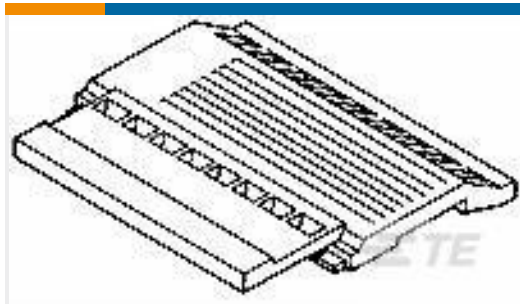
Compatible Parts

Also in the Series | Alcoswitch CAP

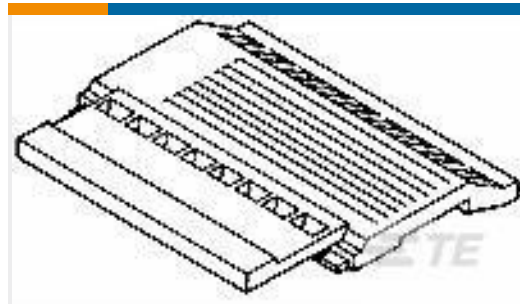


Switch Boots & Accessories(3)

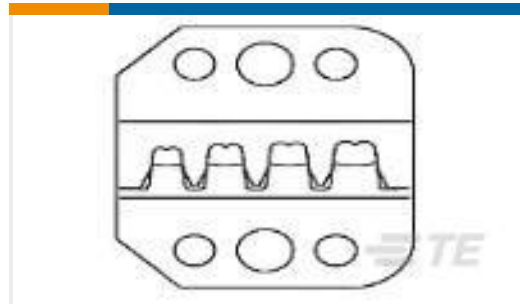
Customers Also Bought



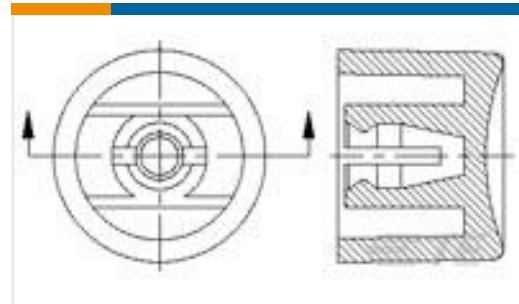
TE Part #102540-2
08 AMPMODU MT COVER DR .100CL



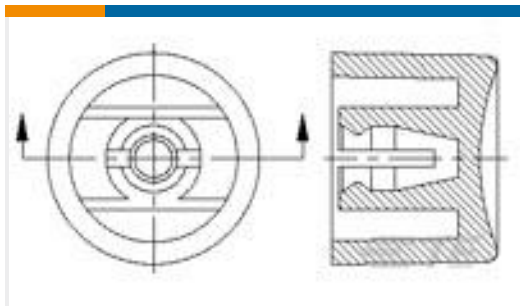
TE Part #102540-3
10 AMPMODU MT COVER DR .100CL



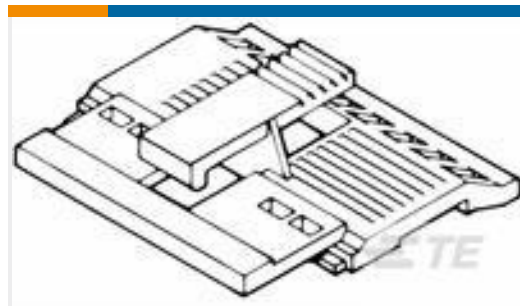
TE Part #90800-2
DIE ASSEMBLY



TE Part #1825068-1
C22004 CAP BLACK



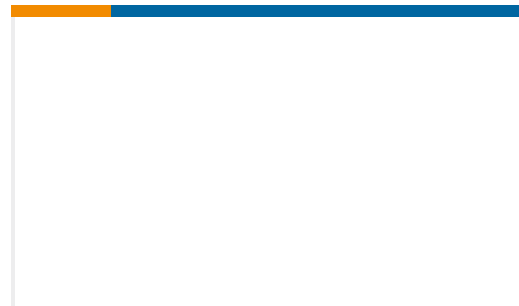
TE Part #1825069-1
C23004 CAP BLACK



TE Part #102681-1
12 AMPMODU MT COVER DR .100CL



TE Part #1825068-5
C22504 CAP GREEN



TE Part #1825069-2
C23204 CAP RED

Documents

Product Drawings

[C22204 CAP RED](#)

English

CAD Files

Customer View Model

[ENG_CVM_CVM_1825068-2_A.2d_dxf.zip](#)

English

[3D PDF](#)

3D

Customer View Model

[ENG_CVM_CVM_1825068-2_A.3d_igs.zip](#)

English

Customer View Model

[ENG_CVM_CVM_1825068-2_A.3d_stp.zip](#)

English

By downloading the CAD file I accept and agree to the [Terms and Conditions](#) of use.



Product Environmental Compliance

Product Compliance

English

Product Compliance

English