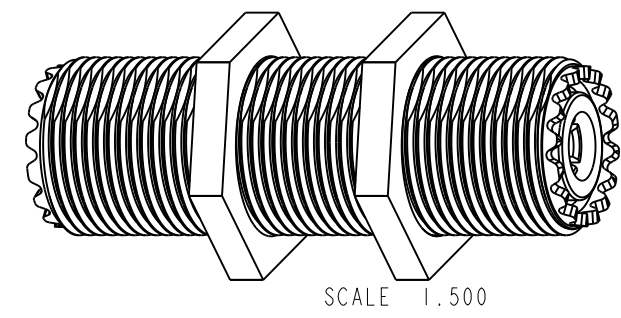
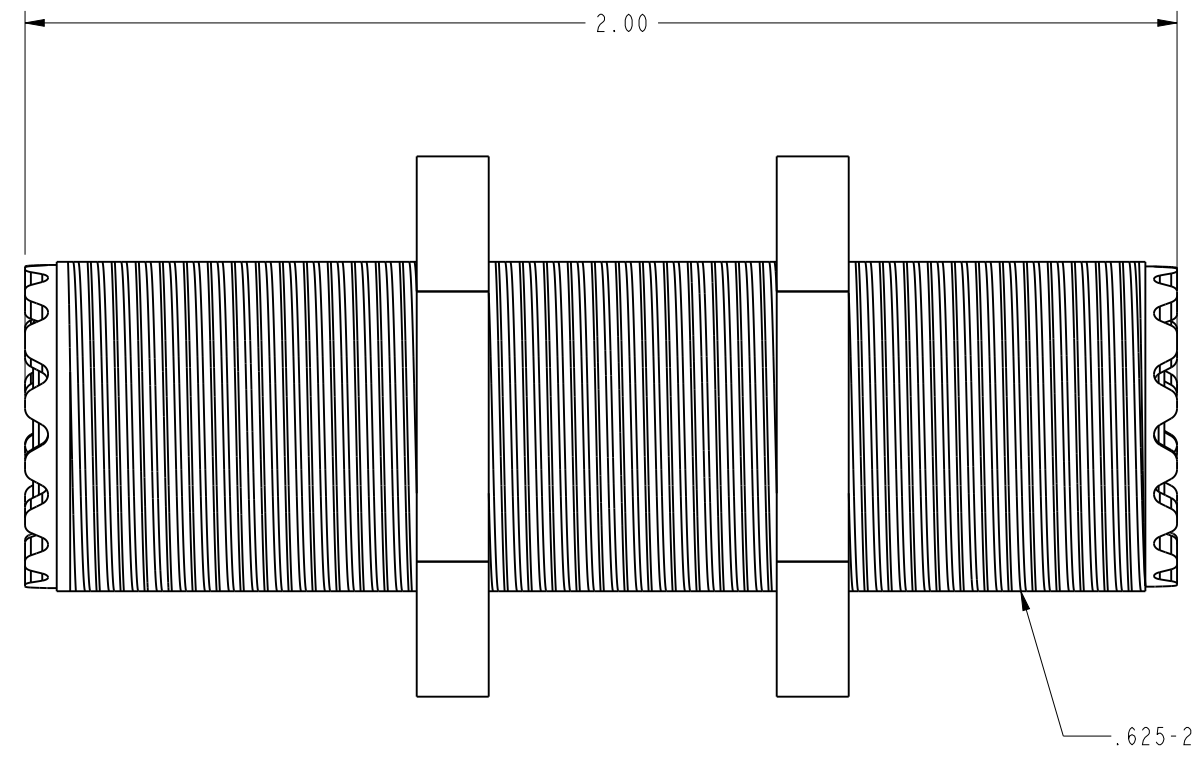


NOTES:

- I. MATERIALS OF CONSTRUCTION:
- BODY = BRASS, NICKEL PLATED
- NUTS = BRASS, NICKEL PLATED
- CONTACT = BRASS, SILVER PLATED
- INSULATORS = POLYSTYRENE
- GASKETS = SILASTIC 6526
- RETAINING RING = PHOSPHOR BRONZE, NICKEL PLATED

THIRD ANGLE PROJ.

REVISIONS				
REV	DESCRIPTION	DATE	ECO	APPR
--	RELEASE TO MFG.			
AB	ADD SHEET 2	2/18/00	43266	CPM
AC	BODY MATERIAL WAS ZINC, NUT MATERIAL WAS ALUMINUM, UPDATED FORMAT	11/29/12	49230-1	EW
AD	SEE SHEET 1	5/31/13	49555	EW



CUSTOMER OUTLINE DRAWING  
FOR REFERENCE ONLY

<p>UNLESS OTHERWISE SPECIFIED, DIMENSIONS ARE IN METRIC AND TOLERANCES ARE:</p> <table border="1"> <tr> <td>&lt;0.5mm</td> <td>0.5 - 6mm</td> <td>6 - 30mm</td> <td>30 - 120mm</td> <td>ANGLES</td> </tr> <tr> <td>± 0.05mm</td> <td>± 0.1mm</td> <td>± 0.2mm</td> <td>± 0.3mm</td> <td>± 1°</td> </tr> </table> <p>NOTICE - These drawings, specifications, or other data (1) are, and remain the property of Amphenol corp. (2) must be returned upon request; and (3) are confidential and not to be disclosed to any person other than those to whom they are given by Amphenol Corp. the furnishing of these drawings, specifications, or other data by Amphenol Corp., or to any other person to anyone for any purpose is not to be regarded by implication or otherwise in any manner licensing, granting rights to permitting such holder or any other person to manufacture, use or sell any product, process or design, patented or otherwise, that may in any way be related to or disclosed by said drawings, specifications, or other data.</p>	<0.5mm	0.5 - 6mm	6 - 30mm	30 - 120mm	ANGLES	± 0.05mm	± 0.1mm	± 0.2mm	± 0.3mm	± 1°	<p>MATERIAL</p>	<p>DRAWN C MCGRATH</p>	<p>DATE 08-FEB-00</p>	<p>TITLE UHF JACK TO JACK ADAPTOR</p>		<p>Amphenol RF www.amphenolrf.com</p>	
	<0.5mm	0.5 - 6mm	6 - 30mm	30 - 120mm	ANGLES												
	± 0.05mm	± 0.1mm	± 0.2mm	± 0.3mm	± 1°												
	<p>REFERENCE GEN# ASSY2_UHF CONFIGURATION LEVEL:</p>	<p>ENGINEER T. AUBIN</p>	<p>DATE 08-FEB-00</p>	<p>APPROVED</p>	<p>DATE 2/16/00</p>	<p>SCALE: 3.0:1.0</p>	<p>SHEET 2 OF 2</p>	<p>DRAWING NO. 83-1F</p>									
<p>FINISH</p>	<p>CAD FILE \\engineer\common\$183-1F</p>	<p>DWG SIZE B</p>	<p>REV AD</p>	<p>ITEM NO. 83-1F</p>	<p>PART NO. 83-1F</p>												