



M12 Rail Bulkhead PCB

TE Internal #: 1-2823590-1

M12 Rail Bulkhead PCB, Standard Circular Connectors, Cable-to-Cable, 5 Position, Sealable, Printed Circuit Board, 4A Contact Current Rating (Max)

[View on TE.com >](#)

Connectors > Circular Connectors > Standard Circular Connectors > M12 PCB MOUNTED



Connector System: **Cable-to-Cable**

Number of Positions: **5**

Sealable: **Yes**

Connector & Contact Terminates To: **Printed Circuit Board**

Contact Current Rating (Max): **4 A**

[All M12 PCB MOUNTED \(12\)](#)

Features

Product Type Features

Product Type	Lead Assembly
Connector System	Cable-to-Cable
Sealable	Yes
Connector & Contact Terminates To	Printed Circuit Board
Circular Connector Type	Plug
Shell Type	Full Metal Shell

Configuration Features

Number of Positions	5
Contacts Preloaded	Yes

Electrical Characteristics

Operating Voltage	50 VDC
-------------------	--------

Body Features

Environmental Protection Type	Elastomer Sealed
Environmental Protection	Yes
Weight	25 g[.0552 lb]
Shell Plating Material	Nickel



Shell Base Material	Brass
Circular Connector Insulation Material Type	Low Fire Hazard Thermoplastic
Hermetically Sealed	Yes

Contact Features

Contact Current Rating (Max)	4 A
Circular Connector Contact Type	Pin

Mechanical Attachment

Connector Mounting Type	Cable Mount (Free-Hanging)
Polarization Code	A
Mating Alignment Type	Keyed
Mating Retention	With

Usage Conditions

IP Water Sealing Level	7
IP Dust Sealing Level	6
Operating Temperature Range	-40 – 85 °C[-40 – 185 °F][-40 – 185 °F]

Operation/Application

Durability Rating	250 Cycles
Circuit Application	Signal
Shielded	Yes

Industry Standards

UL Flammability Rating	UL 94V-0
------------------------	----------

Packaging Features

Packaging Quantity	1
--------------------	---

Other

Field Serviceable	Yes
-------------------	-----

Product Compliance

[For compliance documentation, visit the product page on TE.com>](#)

EU RoHS Directive 2011/65/EU	Not Compliant
EU ELV Directive 2000/53/EC	Not Yet Reviewed
China RoHS 2 Directive MIIT Order No 32, 2016	Restricted Materials Above Threshold
EU REACH Regulation (EC) No. 1907/2006	



Current ECHA Candidate List: JAN 2021
(211)
Candidate List Declared Against: JUN 2020
(209)
SVHC > Threshold:
Not Yet Reviewed

Halogen Content
Low Halogen - Br, Cl, F, I < 900 ppm per homogenous material. Also BFR/CFR/PVC Free

Solder Process Capability
Not reviewed for solder process capability

Product Compliance Disclaimer

This information is provided based on reasonable inquiry of our suppliers and represents our current actual knowledge based on the information they provided. This information is subject to change. The part numbers that TE has identified as EU RoHS compliant have a maximum concentration of 0.1% by weight in homogenous materials for lead, hexavalent chromium, mercury, PBB, PBDE, DBP, BBP, DEHP, DIBP, and 0.01% for cadmium, or qualify for an exemption to these limits as defined in the Annexes of Directive 2011/65/EU (RoHS2). Finished electrical and electronic equipment products will be CE marked as required by Directive 2011/65/EU. Components may not be CE marked. Additionally, the part numbers that TE has identified as EU ELV compliant have a maximum concentration of 0.1% by weight in homogenous materials for lead, hexavalent chromium, and mercury, and 0.01% for cadmium, or qualify for an exemption to these limits as defined in the Annexes of Directive 2000/53/EC (ELV). Regarding the REACH Regulation, the information TE provides on SVHC in articles for this part number is based on the latest European Chemicals Agency (ECHA) 'Guidance on requirements for substances in articles' posted at this URL: <https://echa.europa.eu/guidance-documents/guidance-on-reach>

Compatible Parts



TE Part # 1-2823557-1
CRIMP TOOL FOR CRIMP FLANGE /SLEEVE



TE Part # 1-2823560-1
ASSEMBLY TOOL HANDLE FOR CRIMP FLANGE



TE Part # 1-2823561-1
UNIVERSAL INSERT (ALL M12 CODES)



TE Part # CAT-M1-M1
M12 ASSEMBLY TOOLING



TE Part # CAT-R131-IN722
CRIMP INSERT FOR USE WITH 1-2823557-1



TE Part # 601966-1
CRIMPING TOOL M22520/2-01



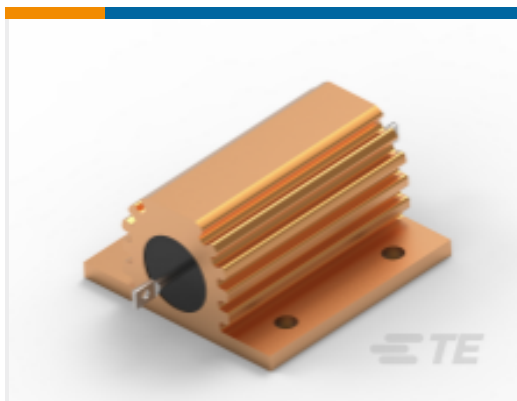
TE Part # 601967-1
CRIMPING TOOL M22520/1-01

Also in the Series | M12 Rail Bulkhead PCB



Standard Circular Connectors(13)

Customers Also Bought



TE Part #2-1630019-7
Power Resistor: Aluminum Housed,
HSA



TE Part #1-2823590-2
M12 PCB MOUNTED



TE Part #5-1393211-2
PCB Power Relay: 40 Amp, Monostable



TE Part #W6S2-P012
DEUTSCH DT WEDGELOCKS



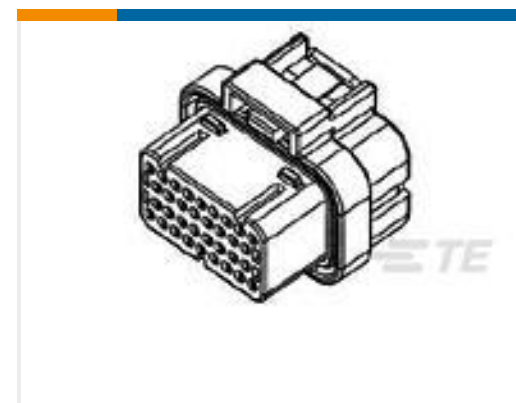
TE Part #1027-017-1200
DEUTSCH DT MOUNTING CLIPS



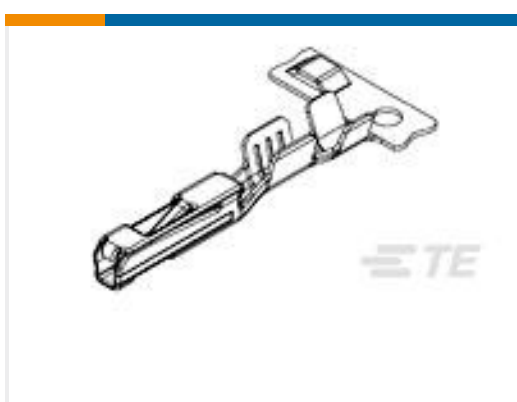
TE Part #1-1437284-0
SUPERSEAL 1.0 CONTACTS



TE Part #1745078-1
AMP MCP, SEALED CONNECTOR
HOUSING



TE Part #1473712-2
SUPER SEAL 2ROW 26POS PLUG ASS
HOUSING



TE Part #1326028-1
0.64MM FEMALE CONTACT,AU,18-20



TE Part #3-1879629-0
H4P 3K0 0.5% 100PPM

Documents

Product Drawings

M12 A-CODE 5,MALE FRONT PANEL MOUNT

English

CAD Files

3D PDF

3D

Customer View Model

ENG_CVM_CVM_1-2823590-1_A.2d_dxf.zip



English

Customer View Model

[ENG_CVM_CVM_1-2823590-1_A.3d_igs.zip](#)

English

Customer View Model

[ENG_CVM_CVM_1-2823590-1_A.3d_stp.zip](#)

English

By downloading the CAD file I accept and agree to the [Terms and Conditions](#) of use.

Datasheets & Catalog Pages

[M12 PCB Connector Flyer](#)

English