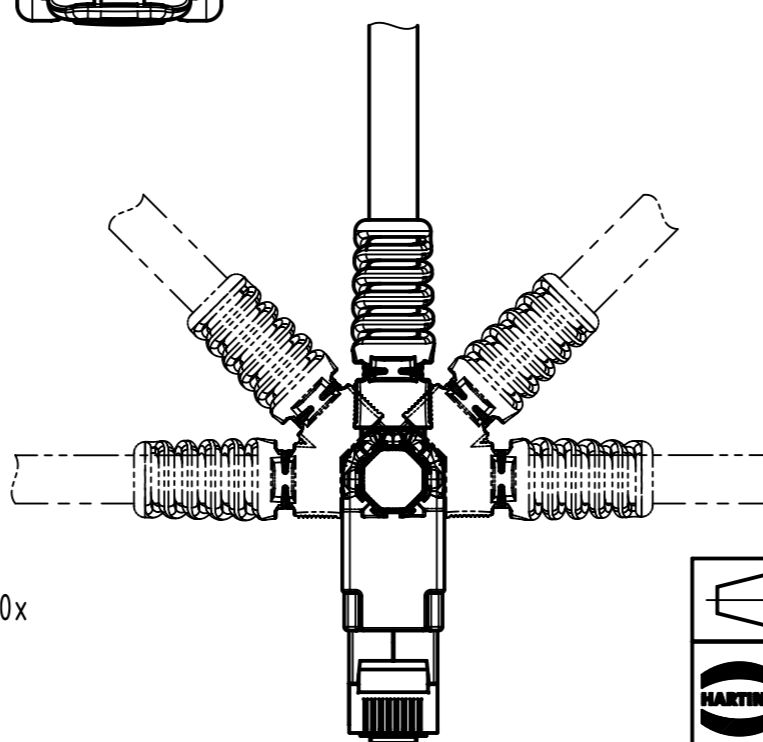
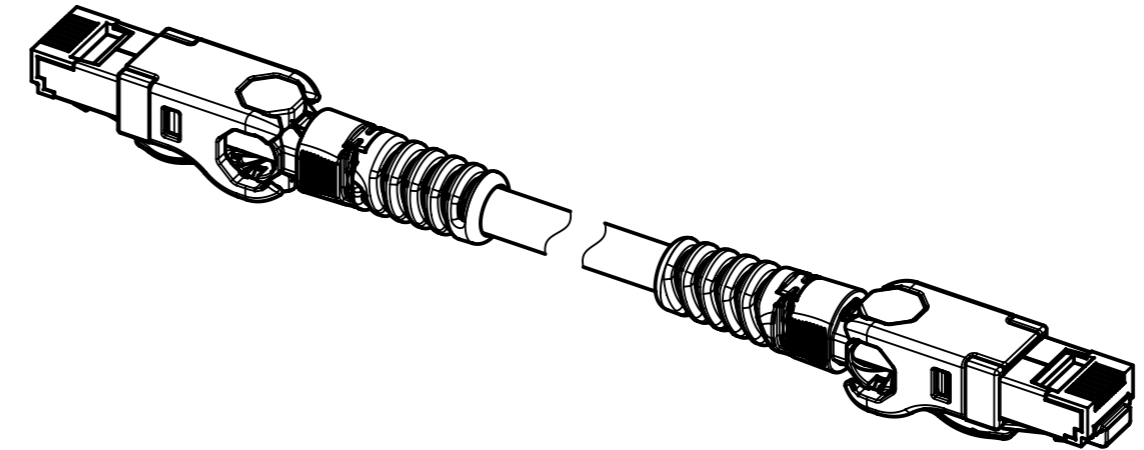
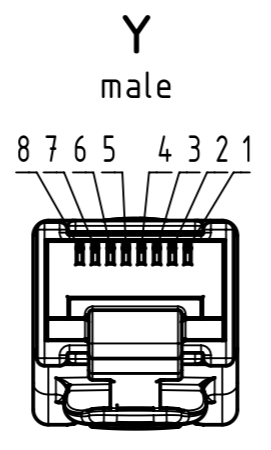
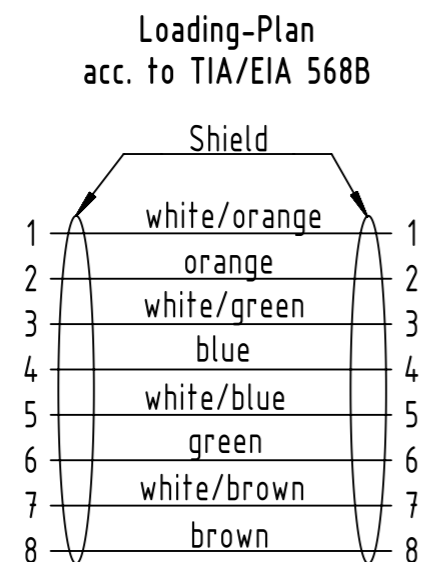
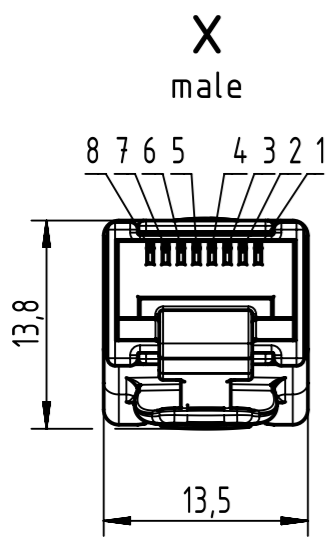
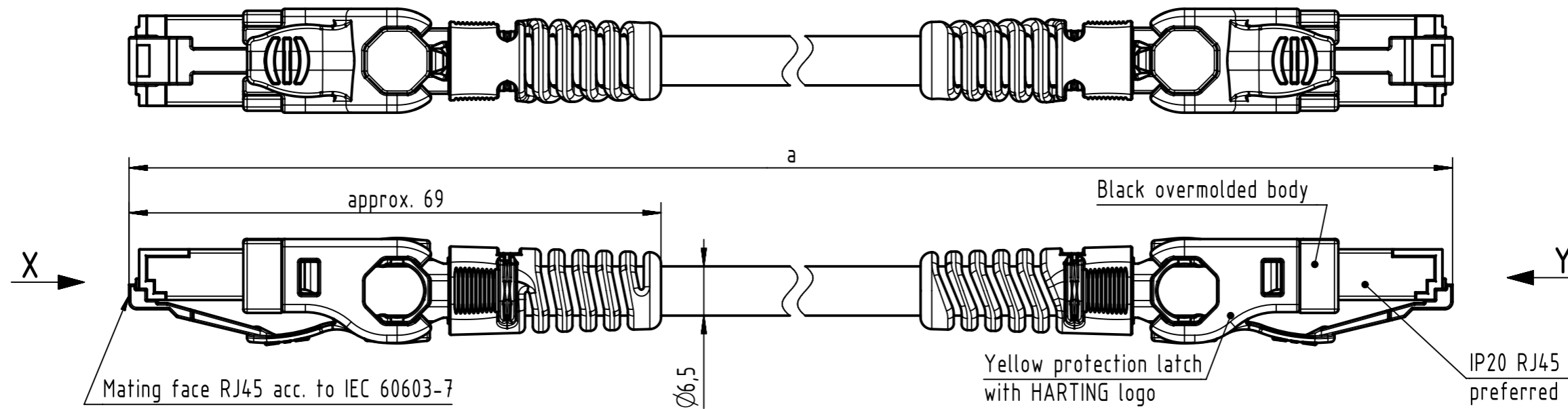


Connector Location A

Connector Location B



| | | |
|-----------------------|---------|---------|
| length in "1m" step | 45 | XXX=450 |
| | 44 | XXX=440 |
| | . | . |
| | 12 | XXX=120 |
| length in "0.1m" step | 11 | XXX=110 |
| | 10 | XXX=100 |
| | 9.9 | XXX=099 |
| | 9.8 | XXX=098 |
| | . | . |
| | . | . |
| 0.5 | XXX=005 | |
| 0.4 | XXX=004 | |
| 0.3 | XXX=003 | |
| 0.2 | XXX=002 | |
| Step | a [m] | XXX |

| | |
|------------|-----------|
| 6.0 to 45 | ±1% |
| 0.6 to 5.9 | +0.04 |
| 0.2 to 0.5 | +0.02 |
| a [m] | Tolerance |

4x2xAWG27/7, S/FTP, PUR, Cat. 7, yellow

Type of cable

09488585745XXX

Part no.

NOTE:
- Direction of the cable outlet can be changed up to 20x

Temperature range:
- Fixed installation: -30°C ...+75°C
- Dynamic installation: -5°C ...+50°C

| | | | | | | |
|------------------------------------------------|---------------------|---------------------------------------|----------------------------|----------------------------------------------------|-----------------|---------------------|
| | All rights reserved | Created by MUNTEANV Muntean | Inspected by COSTEA Costea | Standardisation MUNTEANV Muntean | Date 2018-12-07 | State Final Release |
| | Department HCS - RO | Title VarioBoot RJ45 Cat.6A LaR cable | | Doc-Key / ECM-Nr. 100796008/UGD/000/B 500000144735 | | |
| HARTING Customised Solutions D-32339 Espelkamp | | Type TB | Number 09488585745XXX | | Rev. B | Page 1/1 |