

Three-phase, primary switched mode power supply **PC-0324-100-0**



Picture shows PC-0324-100-0

Advantages

Stabilised and adjustable output voltage
Fast tripping of conventional circuit breakers
DC OK signalling
Parallel operation
Push-in terminals
Robust DIN rail mounting
Resistant to transient overvoltages up to 4 kV
Optional with 50 % Power Boost (PC-03xx-xxx-2)
3 years warranty

Applications

The economic power supplies in the Power Compact series set new standards in their class. Above-average robustness against transients and energetic surge pulses at their input and equipped with essential additional aspects for a worldwide high plant availability. The output voltage can be set easily using the rotary potentiometer on the front of the enclosure. The robust DIN rail fastening method and push-in connection terminals enable fast and secure mounting. All versions are available as option with 50% power reserves for high inrush current applications.

Standards

Primary switched mode power supply
to UL 60950, UL 508

Safety:
EN 61558-2-16, EN 60950-1

EMC:
EN 61204-3

Approvals



UL/CSA 60950 recognised, UL508 listed, GL, EAC

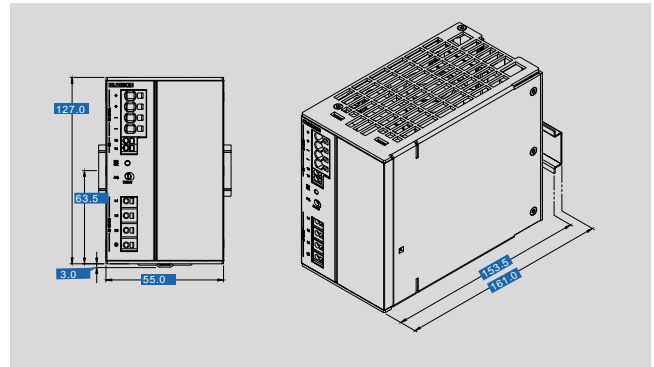


Three-phase, primary switched mode power supply

PC-0324-100-0

Type	PC-0324-100-0
Electrical data	
Special features	
Characteristics	-
Input	
Input rated voltage	400 - 500 Vac
Input voltage range	320 - 575 Vac (450 - 800 Vdc)
Rated frequency range	44 Hz - 66 Hz / 0 Hz
Input rated current (rated load)	3 x 0.73 A (400 Vac) / 0.66 A (500 Vac)
Starting current limiter	< 30 A, NTC
Input fuse internal	-
Recommended back-up fuse (circuit breaker)	6 A, 10 A, 16 A, characteristic B, C
Transient surge voltage protection	Varistor
Output	
Output rated voltage	24 Vdc
Output voltage range	23 - 28.5 Vdc
Output rated current	10 A
Output limited current	typ. 11 A (constant current)
Power Boost	-
Tripping of LS circuit breakers	max. B6/C2 @ 2.5mm ² /20m
Parallel connection	Yes
Serial operation	Yes
Power dissipation, no load/rated load	2.7 W / 27.6 W (400 Vac)
Efficiency	typ. 90 %
Ripple factor	typ. 30 mVss
Resistance to reverse feed max.	35 Vdc
Over-voltage-protection	max. 40 Vdc
Signaling	
Status indicator	LED green
Signal output	Relay contact
Approvals	
Approvals	cURus, cULus, GL (in Vorbereitung), EAC
Environment	
Type of cooling	natural convection
Ambient temperature	-25 °C to +70 °C
Storage temperature	-25 °C to +85 °C
Derating	-2.5 %/K > +55 °C
Required minimum spacing (left/right)	0 mm
Required minimum spacing (over/under)	50 mm
Safety and protection	
Protection index	IP 20
Safety class	I, with PE connection
Order numbers	
Order Number	PC-0324-100-0

Type	PC-0324-100-0
Mechanical data	
Environment	
Mounting position	horizontal for standard rail DIN TS35
Terminal and mounting	
Terminals signalling (direct plug-in technology Push-in)	max 2,5 mm ²
Terminals input (direct plug-in technology Push-in)	max 2,5 mm ²
Terminals output (direct plug-in technology Push-in)	max 2,5 mm ²
Measures and weights	
Weight	1.02 kg



Subject to change.