

Plastic enclosure 171 x 121 x 80 mm light grey PC IP 65



Plastic Enclosures



FEATURES:

Integral guides and standoffs for vertical and horizontal PCB mounting

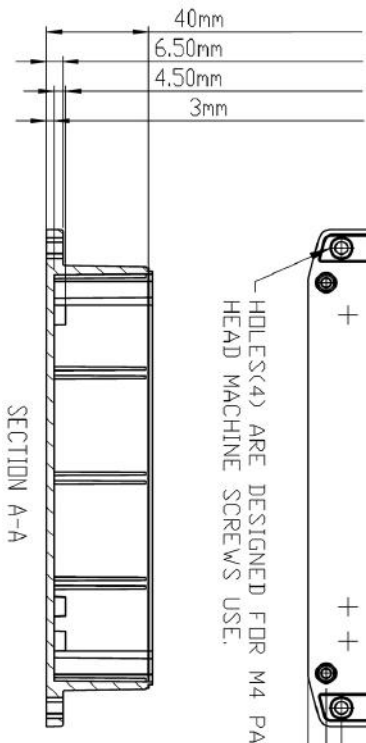
SPECIFICATION:

Dimensions L x W x H	171 x 121 x 80 mm
Colour	light grey
Material	PC
Protection rating	IP 65
Fire class	UL 94 HB
Mounting	Flange
Temperature range	-40...+120 °C

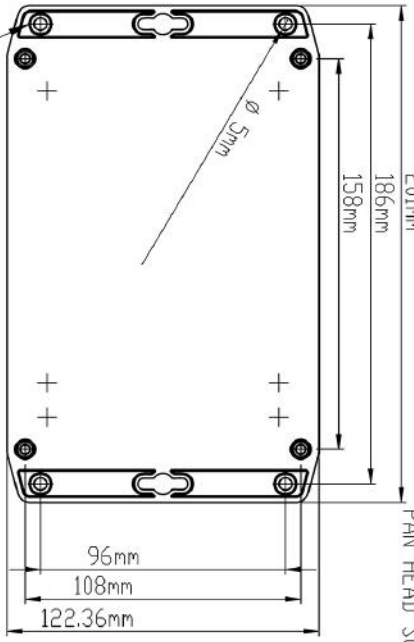
PRODUCT RANGE:

Art. Nr.

RND 455-00233

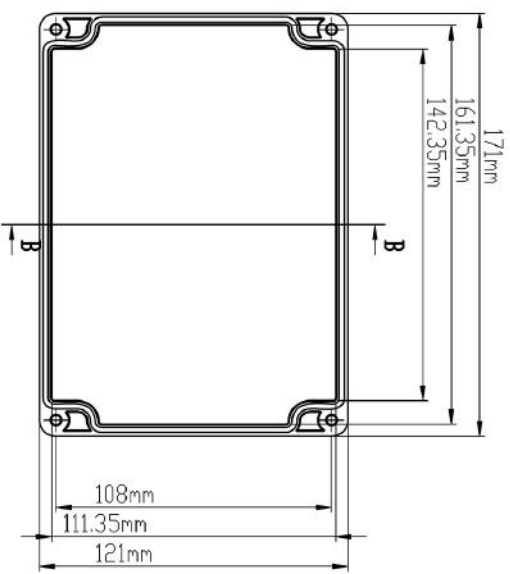
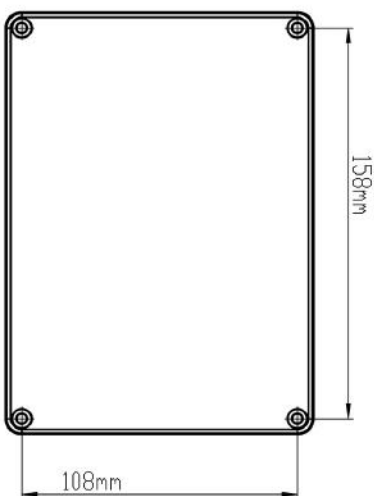
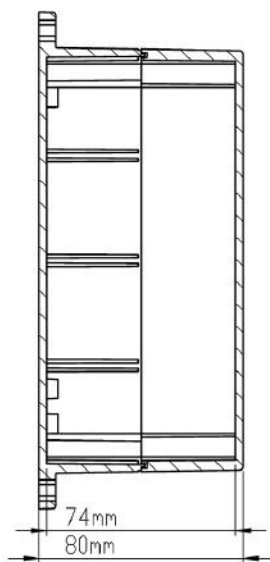
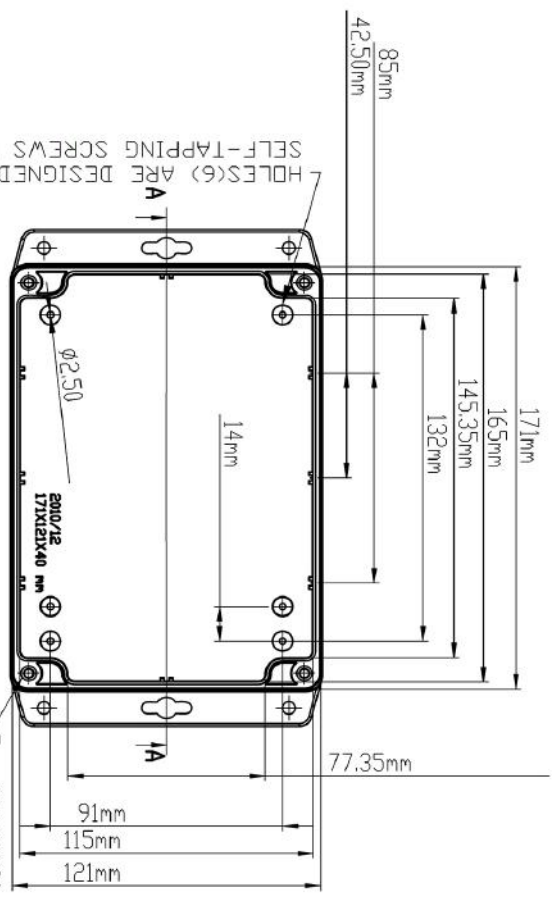


HOLE(S) ARE DESIGNED FOR M4 PAN HEAD MACHINE SCREWS USE.



HOLE(S) ARE DESIGNED FOR M3X4mm SELF-TAPPING SCREWS USE.

FOUR(4) MAX$20mm$ PAN HEAD SCREWS.



SECTION B-B



TOLERANCES: ± 0.30 mm (± 0.012 in)

