

Plastic enclosure

120 x 60 x 40 mm dark grey ABS IP 54



Ideal for instruments or telecommunications equipment

4 M3 flat-head screws provide reliable fastening of the top and bottom parts

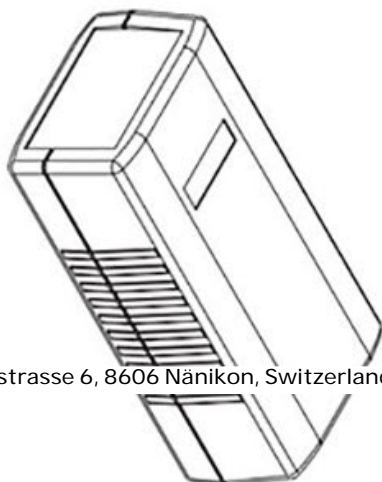
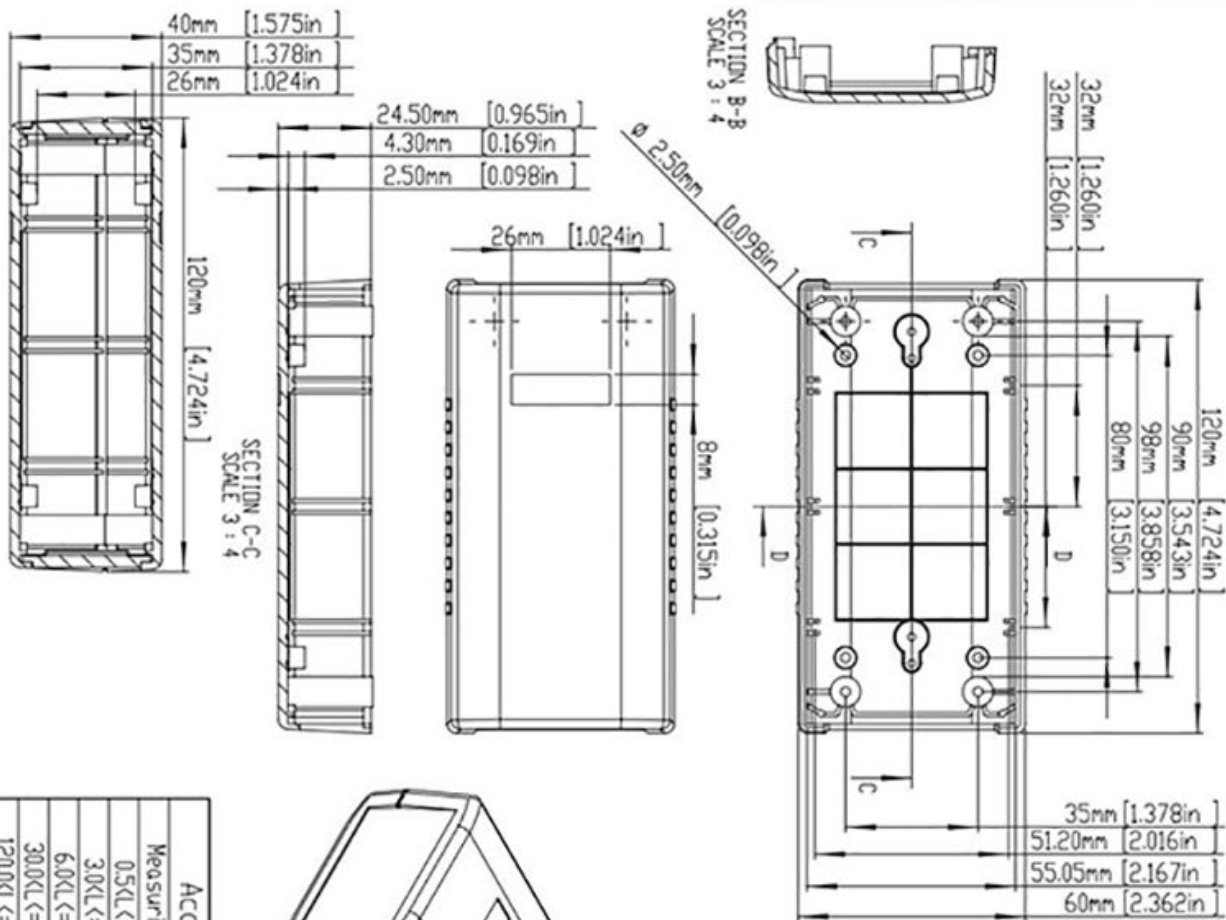
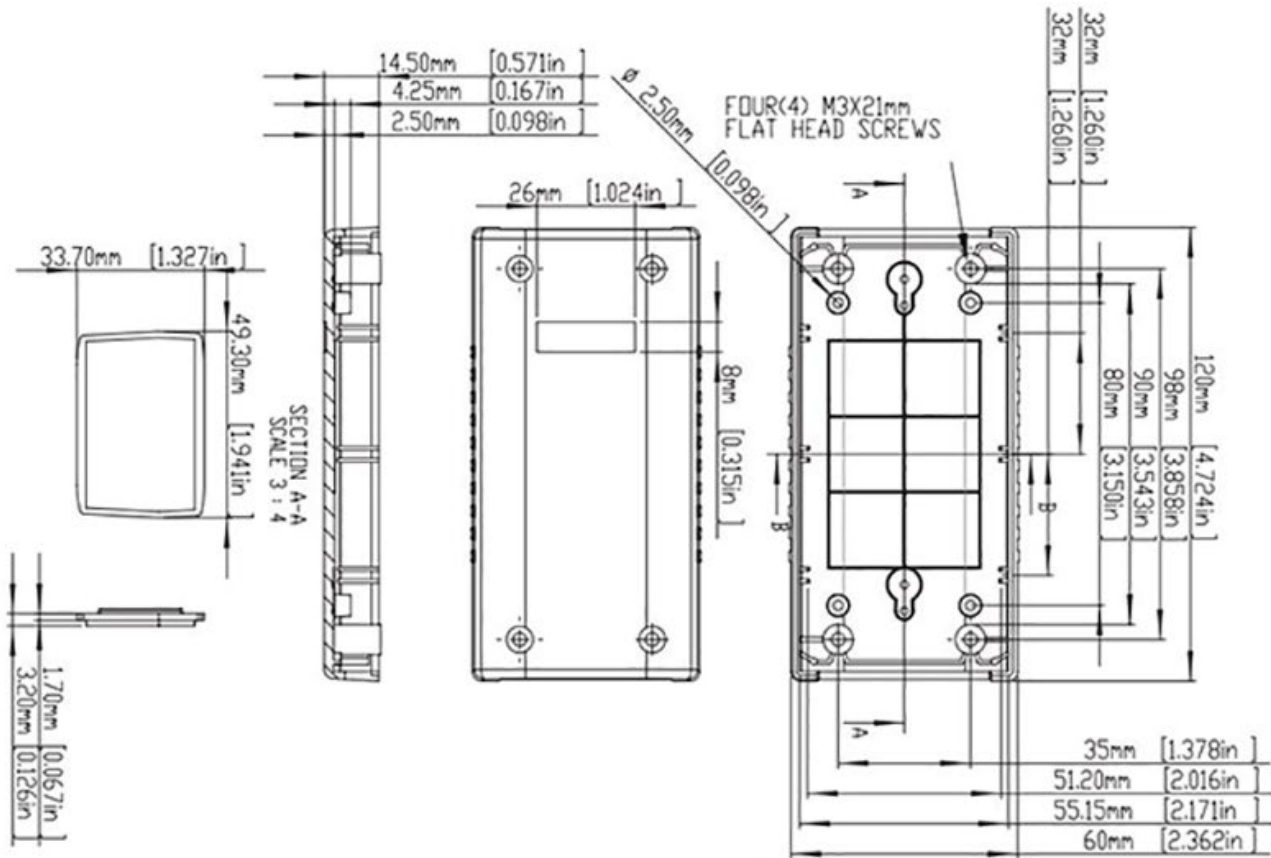
SPECIFICATION:

Dimensions L x W x H	120 x 60 x 40 mm
Colour	dark grey
Material	ABS
Protection rating	IP 54
Fire class	UL 94 V-0



Art. Nr.

RND 455-00279



According to ISO 2768-M	
Measuring DIM=L	Tolerances
0.5<L<=3.0mm	±0.1
3.0<L<=6.0 mm	±0.15
6.0<L<=30.0 mm	±0.2
30.0<L<=120.0 mm	±0.3
120.0<L<=400.0 mm	±0.4
400.0<L<=1000.0 mm	±0.5