

Brushless AC Axial Fan



Features

- Smooth and efficient air flow
- Impedance protected motor
- Dual ball double sealed bearing system
- Ideal for industrial applications



Mechanical Specification

Housing Material	Aluminium
Bearing	Dual Ball Bearing
Termination Type	Lead Wire, 200 mm
Impeller	5 Blades, Black PBT, Glass Fiber Reinforce, UL94V-0
Dimensions	92 x 92 x 25 mm
Motor Structure	Shaded Pole
Weight	240 g

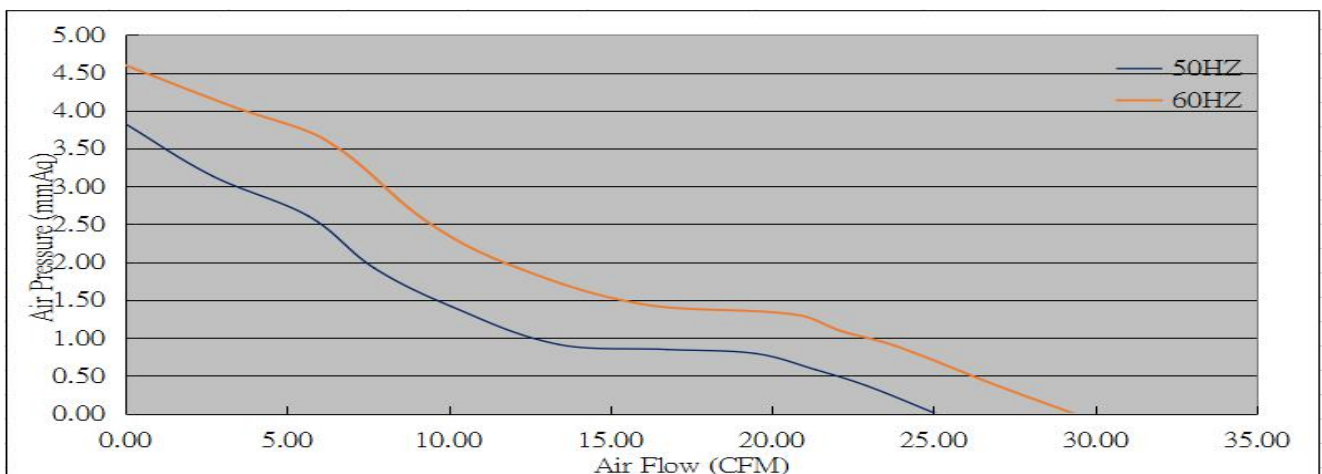
Electrical Characteristics

	In Free Air	At Rated Voltage
Rated Voltage	220 V / 50 Hz	220 V / 60 Hz
Rated Current	80 mA (100 mA max.)	60 mA (80 mA max.)
Label Current	80 / 70 mA	
Rated Input Power	14.1 W \pm 10%	10.7 W \pm 10%

Efficiency

	In Free Air	At Rated Voltage
Rated Speed	2500 rpm \pm 10%	2900 rpm \pm 10%
Maximum Airflow	25.08 CFM (22.57 min.)	29.35 CFM (26.42 min.)
Maximum Static Air Pressure	3.83 mmAq (3.1 min.)	4.6 mmAq (3.72 min.)

Performance Curve



Test Conditions: (1).Rated Voltage;(2).Room Temperature, 65% Humidity

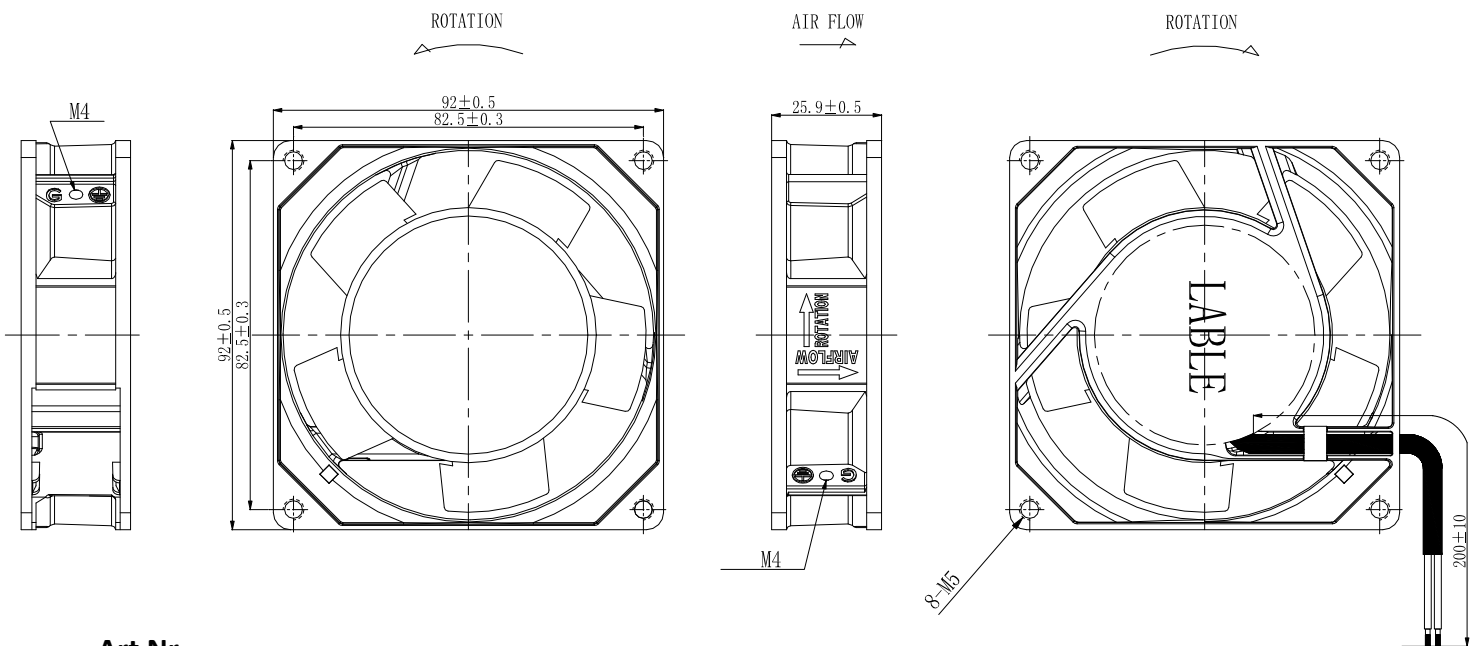
Brushless DC Axial Fan



Characteristics

Operating Voltage	198 ... 242 V
Starting Voltage	175 V
Locked Current	80 mA
Operating Temperature	-10 ... 70°C
Storage Temperature	-20 ... 80°C
Insulated Type	Class B (130°C)
Safety Standard	CCC, CE, TUV
Motor Protection	Impedance Protected
Noise Level	30.8 dBA (33.8 max.)
Environment Humidity	10 %(RH)45°C for 24 hours & 98% (RH) 45°C for 24 hours
Insulation Resistance	10 MΩ @ 500 VDC
Dielectric Strength	2000 VAC / 1mA for 1 min.
Service Life	50000 hours
Tensile Strength of Connector	1 kg for 15 sec.

Drawing



Art Nr.
RND 460-00099