




80×80×25 mm

San Ace 80 9S type Silent Fan    Model 9S0812H401 is not TÜV certified.



General Specifications

- Material Frame: Plastic (Flammability: UL 94V-0), Impeller: Plastic (Flammability: UL 94V-1)
- Expected life See the table below. (L10 life: 90% survival rate for continuous operation in free air at 60°C, rated voltage)
- Motor protection function Locked rotor burnout protection, Reverse polarity protection
For details, please refer to p. 547.
- Dielectric strength 50/60 Hz, 500 VAC, for 1 minute (between lead wire conductors and frame)
- Insulation resistance 10 MΩ or more with a 500 VDC megger (between lead wire conductors and frame)
- Sound pressure level (SPL) At 1 m away from the air inlet
- Storage temperature -30 to +70°C (Non-condensing)
- Lead wire ⊕Red ⊖Black (Sensor) Yellow
- Mass 75 g

Specifications

The models listed below **have ribs and pulse sensors.** For models without ribs, append "1" to the end of model numbers.

Model no.	Rated voltage [V]	Operating voltage range [V]	Rated current [A]	Rated input [W]	Rated speed [min ⁻¹]	Max. airflow [m ³ /min] [CFM]	Max. static pressure [Pa] [inchH ₂ O]	SPL [dB (A)]	Operating temperature [°C]	Expected life [h]
9S0812H410	12	5.0 to 13.2	0.23	2.76	3400	1.12 39.5	52.15 0.2	31	-10 to +70	40000/60°C
9S0812F401		5.0 to 13.8	0.11	1.32	2800	0.93 32.8	35.5 0.143	24		
9S0812M401			0.08	0.96	2500	0.83 29.3	27.5 0.11	22		
9S0812L401		6.0 to 13.8	0.05	0.6	2000	0.66 23.3	18.1 0.073	16		
9S0824M401	24	10 to 26.4	0.06	1.44	2500	0.83 29.3	27.5 0.11	22		
9S0824L401			0.04	0.96	2000	0.66 23.3	18.1 0.073	16		

The following sensor and control options are available for selection.

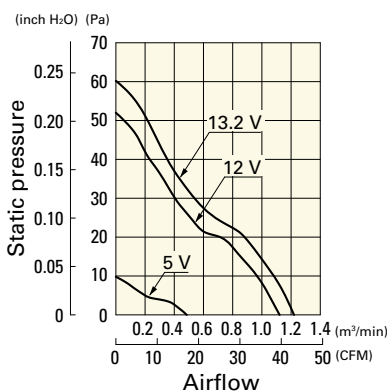
Available for all models. **Lock sensor**

Differs according to the model. Refer to the table on p. 577. **Without sensor** **PWM control**

Airflow - Static Pressure Characteristics

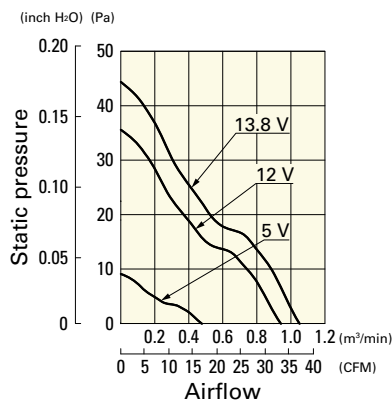
9S0812H410 With pulse sensor

Operating voltage range



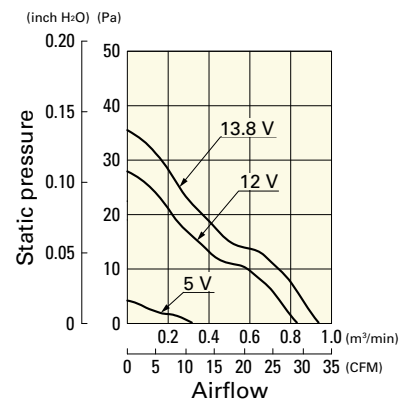
9S0812F401 With pulse sensor

Operating voltage range



9S0812M401 With pulse sensor

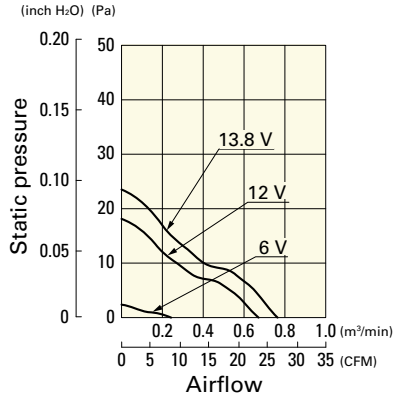
Operating voltage range



Airflow - Static Pressure Characteristics

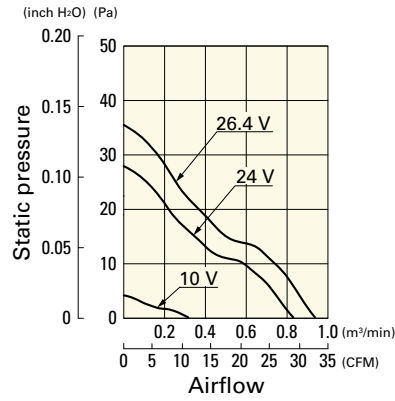
9S0812L401 With pulse sensor

Operating voltage range



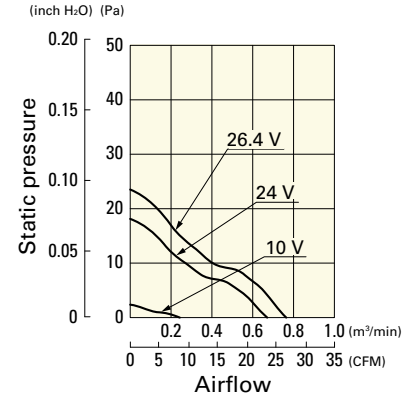
9S0824M401 With pulse sensor

Operating voltage range

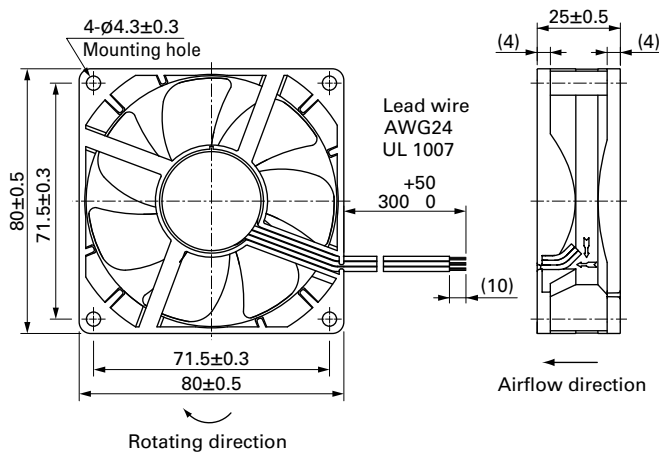


9S0824L401 With pulse sensor

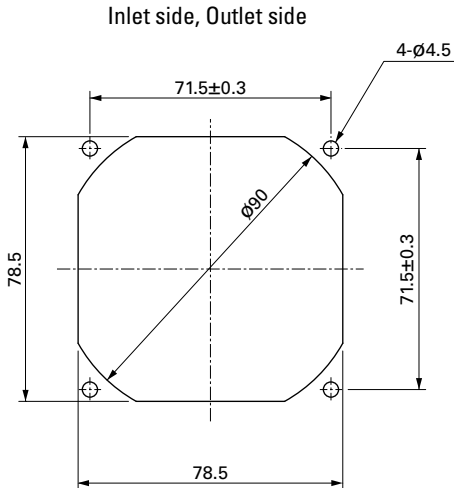
Operating voltage range



Dimensions (unit: mm) (With ribs)



Reference Dimensions of Mounting Holes and Vent Opening (unit: mm)



Options

Finger guards

page: p. 532

Model no.: 109-049E, 109-049H, 109-049C

Resin finger guards

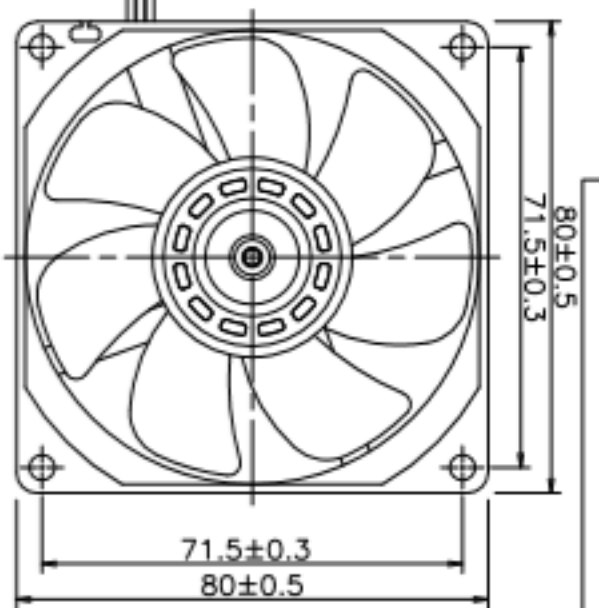
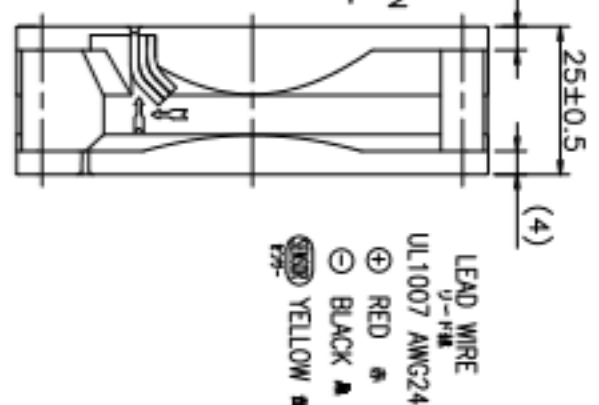
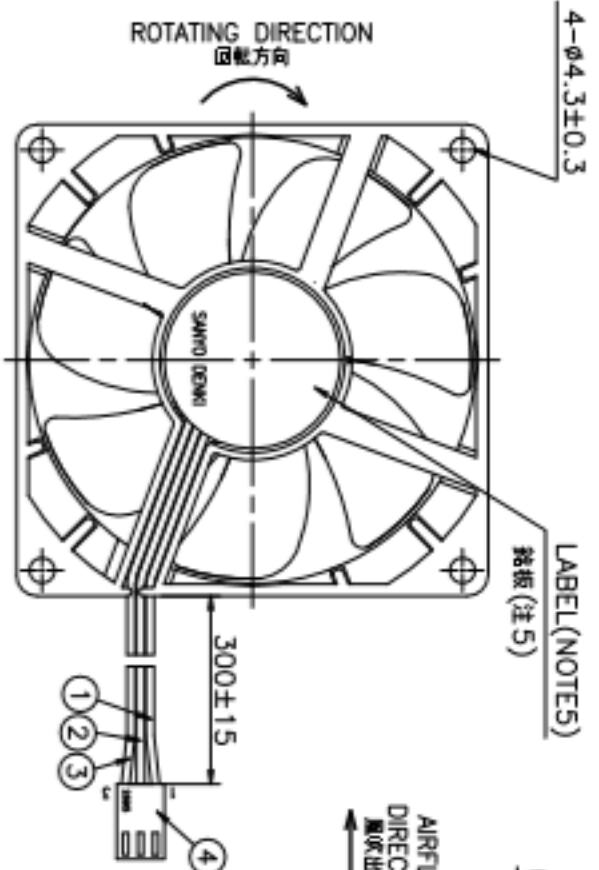
page: p. 539

Model no.: 109-1002G

Resin filter kits

page: p. 540

Model no.: 109-1002F13 (13PPI), 109-1002F20 (20PPI), 109-1002F30 (30PPI), 109-1002F40 (40PPI)

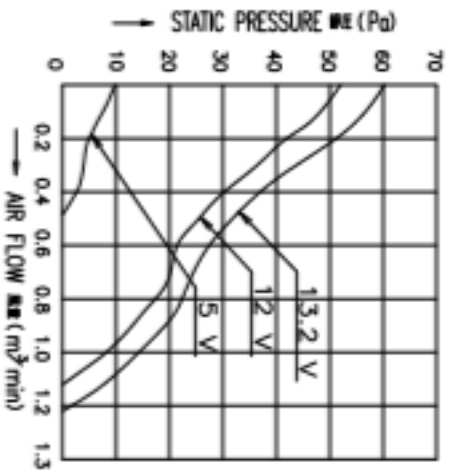


RATED VOLTAGE	12 V DC
OPERATING VOLTAGE	5 V DC ~ 13.2 V DC
OPERATING CURRENT	0.23 A AT 12 V DC (DC12 Vc-t)
RATED SPEED	3400 min ⁻¹ AT 12 V DC (NOMINAL) (DC12 Vc-t) (中心値)
INSULATION RESISTANCE	10 MΩ MIN. AT 500 V DC (NOTE2)
DIELECTRIC STRENGTH	1 MINUTE AT 500 V AC, 50/60 Hz (NOTE2) AC50/60 Hz, 500 Vc-t 1分間耐えること (注2)
OPERATING TEMP.	-10 °C ~ +70 °C
SOUND PRESSURE LEVEL	31 dB(A) (NOMINAL) (NOTE1) 音圧レベル (中心値) (注1)
MASS	APPROX. 75 g
MATERIAL	FRAME, IMPELLER : PLASTICS フレーム-羽車 : 樹脂成形品
BEARING SYSTEM	2 BALL BEARINGS ボールベアリング

CONTACT	MOLEX : 39-00-0372 (2759T)
4 CONNECTOR	モジュール : 22-01-3037 (2695-03RP)
3 LEAD WIRE	UL1007 AWG24 YELLOW PIN No.3
2 LEAD WIRE	UL1007 AWG24 RED PIN No.2
1 LEAD WIRE	UL1007 AWG24 BLACK PIN No.1

- MOTOR IS PROTECTED FROM DAMAGE OF LOCKED ROTOR CONDITION AT THE OPERATING VOLTAGE. フランネル保護機能は搭載されていない。
- FOR SENSOR SPEC., SEE 900001H1111. フランネル仕様は、900001H1111による。
- PRINT PRODUCT NAME, MODEL No., MANUFACTURER, AND MANUFACTURED DATE ETC. 品名、型名、製造会社名、及び製造年月日等を表示する。

PERFORMANCE CURVES



NOTE: 1. THE SOUND PRESSURE LEVEL EXPRESSED AS THE VALUE AT 1 m FROM AIR INLET SIDE.
音圧レベルは、フランネル距離1 mにおける値。

2. MEASURED BETWEEN THE LEAD WIRES AND THE FRAME.
リード線間距離とフレームとの間。

WIRE LINE	WIRE	NEW DESIGN
MM	2.0ISHI	20-03-18
FORM	San Ace	80 (9S)
		RIBBED/PULSE-SENSOR

SANYODENKI

950812H410 A

ALL Approved by M. MURATA 20-03-18
ALL Checked by Y. MURAKATSU 20-03-18
ALL Designed by J. OISHI 20-03-18

Group D12 Over E0 Page 1/1

SENSOR SPECIFICATION FOR BRUSHLESS DC FAN

ブラシレスDCファン センサー仕様

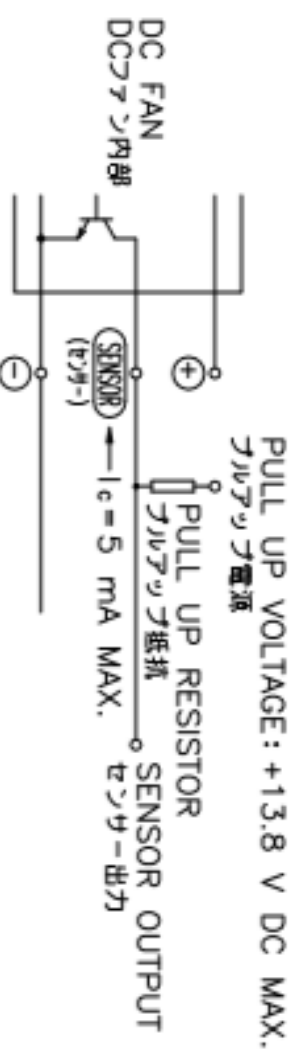
1. OUTPUT CIRCUIT - OPEN COLLECTOR
出力回路-オープンコレクタ

(b) LOCKED ROTOR CONDITION
羽根ロック時

2. SPECIFICATION
仕様

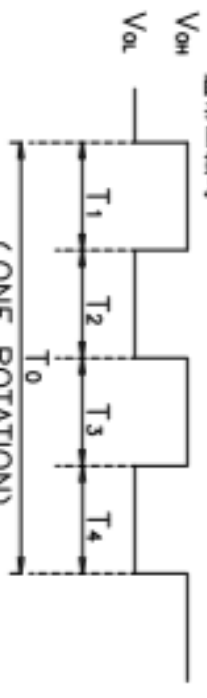
$V_{\alpha} = +13.8 \text{ V DC MAX.}$
 $I_c = 5 \text{ mA MAX. (} V_{\alpha}(\text{SAT}) = 0.6 \text{ V MAX.)}$

SENSOR OUTPUT IS FIXED EITHER
(b-1) OR (b-2) AT LOCKED ROTOR CONDITION.
下図のどちらかに固定される。



3. WAVEFORM OF SENSOR OUTPUT
センサ-出力波形

(a) RUNNING CONDITION
通常回転時



$T_{1-4} \approx (1/4) T_0 = 60/4 \text{ N (S)}$
 $N = \text{FAN ROTATION SPEED (min}^{-1}\text{)}$
ファン回転速度

(b-2)

V_{OH} _____
 V_{α} _____
 $0V$ _____

(b-1)

V_{OH} _____
 $0V$ _____

品番	E0080323	06-10-12	MM	検査	06-10-12	検査	06-10-12
名称	脈衝センサ	03-04-24	検査	06-10-12	検査	06-10-12	検査
仕様	03-04-24	03-04-24	検査	06-10-12	検査	06-10-12	検査
検査	03-04-24	03-04-24	検査	06-10-12	検査	06-10-12	検査


 山陽電機株式会社
 SANRYO DENKI CO., LTD.

9D0001H111B
 000514588