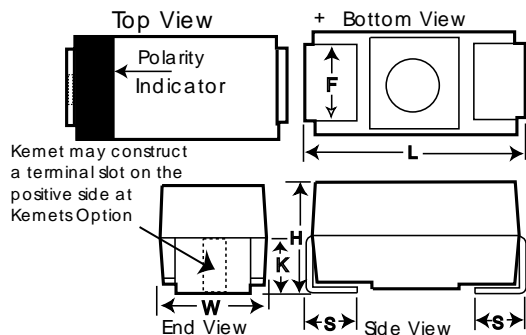


KEMET Part Number: T495D336K016ZTE200
(B45197A3336K409)

Capacitor, tantalum, 33 uF, 7343, +/-10% Tol, 16V@85C



Dimensions (mm)		
Symbol	Dimension	Tolerance
L	7.3	+/-0.3
W	4.3	+/-0.3
H	2.8	+/-0.3
K	1.8	typ
F	2.4	+/-0.1
S	1.3	+/-0.3

Notes:

-In polarity stripe, at KEMET's option, type may be indicated: see catalog for explanation of symbols

-Old part number [Obsolete] was B45197A3336K409

General Information

Manufacturer: KEMET

Electrical Specifications

Capacitance:	33 uF
Voltage DC @ 85C:	16V
Voltage DC @ 105C:	13V
Voltage DC @ 125C:	10V
Tolerance:	+/-10%
Application:	General Purpose / Low ESR
Temperature Range:	-55/+125C
Body Type:	Molded Chip
Construction:	Std Chip-MnO2
ESR:	200 mOhm
Footprint:	7343
Termination:	Tin
Leakage Current:	5.3 uA
Dissipation Factor:	6%
Ripple @ 25C:	0.87 A
Ripple @ 85C:	0.783 A
Ripple @ 125C:	0.348 A

Packaging Specifications

Package Kind:	T&R
Package Size:	7in
Package Quantity:	750