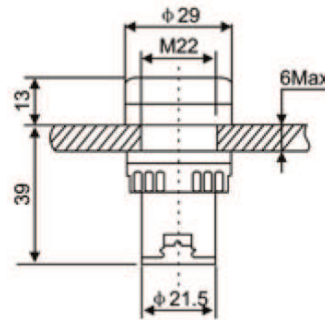


Audible Indicator red

LED Indicators, Audible Pilot Lights, RND



FEATURES:

Audible indicator
Flashing LED
Short body

SPECIFICATION:

Light colour	red
Flush-mounted ϕ	22 mm
LED diameter	29 mm
Termination type	Screw Terminal
Dimensions ϕ x L	21.5 x 52 mm

PRODUCT RANGE:

Art. Nr.	Current	Voltage
RND 210-00060	20 mA	24 V
RND 210-00059	20 mA	230 V