

## SYNERGY 21<sup>®</sup>

Gray RAL 7035

"SYNERGY 2<sup>®</sup>" for black printing The pantone of Color is black c  
 "1" for blue printing The pantone of Color is 298C

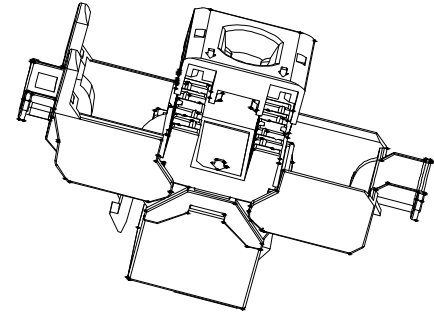
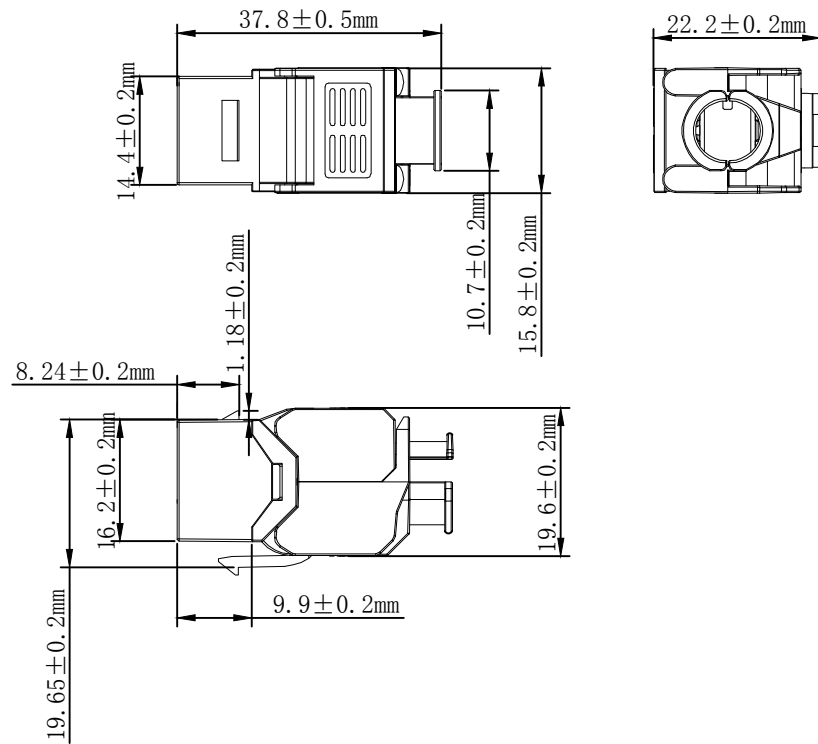
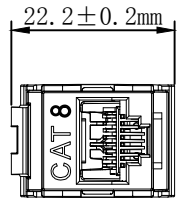
### NOTE:

- PANEL FRAME:SPCC CARBON STEEL T=1.2MM POWDER COATING
- PANEL BRACKET SPCC NICKEL PLATING
- BODY COLOR: Gray "1 2 3..... 48" Color: black Font : Arial H:4.4MM
- Accessory:
  - Cable Tie(75X1.9mm) \*48pcs
  - Screw and Nut M6\*18mm × 4set
- RoHS 2.0 & REACH Compliant
- Packing:1pcs/PE bag+labe1

ITEM NO.	Colour
S216339	Gray RAL 7035

SYNERGY 21									
CUSTOMER		ITEM NO.		See The Chart					
PRODUCT NAME	19" 1U 48 ports blank Patch panel Three-piece type	manufacture country	CHINA	UNIT	MM				
DRAWNBY		CHECKBY		APPOBY		DATE			
SYNERGY 21		SYNERGY 21		SYNERGY 21		2018-10-17			

NEW			2018-10-17	A						
BY	CHK	REVISION RECORD MODIFICATIONS	DATE	REV.						
BY	CHK	REVISION RECORD MODIFICATIONS	DATE	REV.	SYNERGY 21	SYNERGY 21	SYNERGY 21	2018-10-17		



**MATERIAL LIST:**

⑦	Housing	Zinc alloy Silver	1	
⑥	RJ 45 JACK INSERT	PHOSPHOR BRONZE 8P8C GOLD PLATED	8	
⑤	PCB	FR-4 1.6mm	1	
④	IDC BODY	White PC	1	
③	IDC PIN	PHOSPHOR BRONZE & TINNED	8	
②	LABEL COLOR CODE	T568A/B	2	
①	IDC TERMINAL	FOR 22-26AWG CABLE	1	

NO	PARTS NAME	SPECIFICATION STANDARD	QT' Y	REMARK
		NEW	2020-09-01	A
BY	CHK	REVISION RECORD MODIFICATIONS	DATE	REV.

**NOTES:**

**ELECTRICAL:**

- Contact Resistance : 20MΩ MAX
- Insulation Resistance : 500MΩ MIN @ 500V DC
- Withstand Voltage : DC 1000V AC 700V RMS 60Hz, 1MIN
- Compliance with Class I up to 2000 MHz to ISO/IEC 11801-1:2017 (Ed. 1. 0)

**ENVIRONMENTAL:**

- Storage Temperature : -40℃ ~ +70℃
- Operation Temperature : -10℃ ~ +60℃

**MECHANICAL**

- MATERIAL: Zinc alloy
- IDC MATERIAL: PC TERMINAL:PHOSPHOR BRONZE, TIN PLATING
- RJ45 Contact Life: 750 Times Min
- Plug inforce:<30N
- Solid cable:1/22AWG (0.65MM)-1/26AWG (0.4MM) ID:1.1MM-1.6MM
- Stranded cable:22/7-26/7AWG ID:1.1MM-1.6MM
- Cable OD: 5.0mm-8.5mm
- PoE per IEEE 802.3af, PoE+ per IEEE 802.3at,PoE++ per IEEE 802.3bt
- RoHS 2.0 and REACH Compliant
- with copper foil in packing.

SYNERGY 21							
CUSTOMER	ALLNET Computersysteme GmbH	ITEM NO.	S216378				
PRODUCT NAME	CAT 8.1 STP KEYSTONE JACK	manufacture country:	china	UNIT	MM		
DRAWNBY	CHECKBY	APPOBY	DATE				
SYNERGY 21	SYNERGY 21	SYNERGY 21	2020-09-01				