


U.I. Lapp GmbH	PRODUCT INFORMATION	
	SKINTOP® CLICK	12.09.2012

Fewer parts, counter nut no longer needed
 Save up to 70% of the time with the innovative CLICK system
 Simple, free assembly in any position
 Vibration protection
 No thread required



Info

The most innovative cable insertion system in the market for a fast and highly flexible assembly. Simply click in - turn to the left - turn to the right - finished. The result: fixed, centred, strain-relieved fitting and maximum protection class in a few seconds.

Application range

Automation technology
 Solar applications
 Control cabinet manufacturing
 Measurement, control and electrical applications
 Air-conditioning technology

Approvals (Norm references)

UL File Nr. E79903

Included

Included: disassembly tool

Remark

Photographs are not to scale and do not represent detailed images of the respective products.

Technical Data


Colour delivered:	Silver grey (RAL 7001) Light grey (RAL 7035) Black (RAL 9005), UV-resistant
Material:	Body: special polyamide Seal: special elastomer
Protection rating:	IP 68 - 4 bar (M12) IP 68 - 5 bar (M16 - M32)
Temperature range:	Dynamic: -20°C to +100°C Fixed: -40°C to +100°C

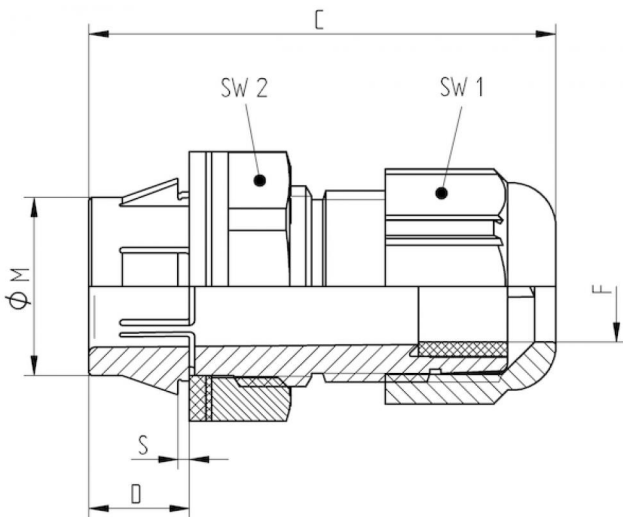
Product Management	Document: LAPP_PRO26624EN.pdf	1 / 3
--------------------	-------------------------------	-------

SKINTOP® CLICK

12.09.2012

Part number	Article designation / size	Clamping range ØF (mm)	M (hole in mm)	Thread/ female PG/NPT	SW1/SW2 mm	Overall length/ C (mm)	Thread length inner mm	Wall thickness/ S (mm)
SKINTOP® CLICK light grey								
53112692	CLICK 12	3,5 - 7	12.3 (-0.2)		15 / 18	40.0	8.0	1 - 4
53112686	CLICK 16	5 - 9	16.3 (-0.2)		19 / 22	42.0	8.0	1 - 4
53112687	CLICK 20	7 - 13	20.3 (-0.2)		25 / 27	45,5	8.0	1 - 4
53112688	CLICK 25	9 - 17	25.3 (-0.2)		30 / 34	48,5	8.0	1 - 4
53112694	CLICK 32	11 - 21	32.3 (-0.2)		36 / 40	55.0	8.0	1 - 4
SKINTOP® CLICK silver grey								
53112921	CLICK 12	3,5 - 7	12.3 (-0.2)		15 / 18	40.0	8.0	1 - 4
53112876	CLICK 16	5 - 9	16.3 (-0.2)		19 / 22	42.0	8.0	1 - 4
53112877	CLICK 20	7 - 13	20.3 (-0.2)		25 / 27	45,5	8.0	1 - 4
53112878	CLICK 25	9 - 17	25.3 (-0.2)		30 / 34	48,5	8.0	1 - 4
53112922	CLICK 32	11 - 21	32.3 (-0.2)		36 / 40	55.0	8.0	1 - 4
SKINTOP® CLICK black								
53112923	CLICK 12	3,5 - 7	12.3 (-0.2)		15 / 18	40.0	8.0	1 - 4
53112882	CLICK 16	5 - 9	16.3 (-0.2)		19 / 22	42.0	8.0	1 - 4
53112883	CLICK 20	7 - 13	20.3 (-0.2)		25 / 27	45,5	8.0	1 - 4
53112884	CLICK 25	9 - 17	25.3 (-0.2)		30 / 34	48,5	8.0	1 - 4
53112924	CLICK 32	11 - 21	32.3 (-0.2)		36 / 40	55.0	8.0	1 - 4

U.I. Lapp GmbH	PRODUCT INFORMATION	 LAPP GROUP
SKINTOP® CLICK		12.09.2012



Product Management	Document: LAPP_PRO26624EN.pdf	3 / 3
--------------------	-------------------------------	-------