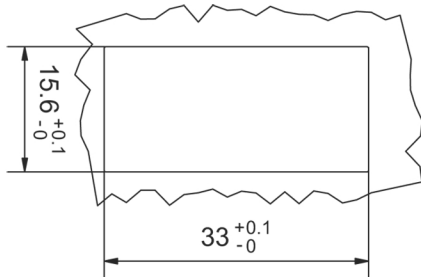
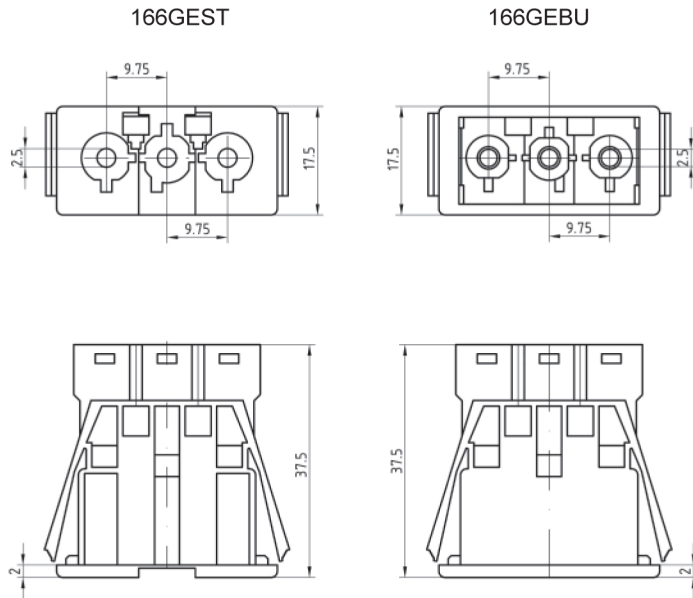
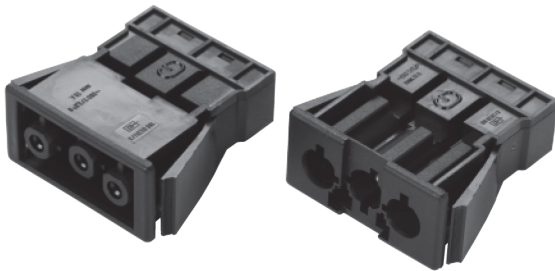


PANEL MOUNT SERIES 166GEST/GEBU
3 pole 16A panel mount plugs & sockets to EN 60 320



FEATURES

Series 166GE 3 pole plug and socket connectors are fully touchproof in both connected and disconnected positions and can be used as "Appliance Couplers" as required by EN 60 320. It is permitted for these to be engaged and disengaged under load in accordance with VDE 0627 and VDE 0628. They feature industry standard coding to ensure that correct polarity is guaranteed and are designed to simply push in to panels which have pre-formed rectangular slots.

They are fully "touchproof" in both fitted and unfitted positions. The internal connections are for use as screwless connectors, suitable for tinned stranded or solid conductors. Untinned stranded connectors cannot be used with this type.

Approvals			
Nominal Cross-Section mm ²	2.5	14 AWG	2.5
		16A	
Voltage Rating	V	250	600
		250	

TECHNICAL DETAILS

Mouldings:	nylon 6.6 (PA6/6), black, white, grey and coral red
Inserts:	brass, tinned
Current rating:	to EN 61 984: 16A / 250v at 70° C to EN 60 320: 16A / 250v at 70° C
Voltage rating:	see approvals
Conductor size:	0.5mm ² - 2.5mm ² : solid core 0.5mm ² - 1.5mm ² : tinned or ferruled
Temp. limits:	max short term: 160° C continuous: 100° C
Wire stripping length:	8mm-9mm
Protection class:	IP20 IP40 - when plugged in

OPTIONS

Locking slides: part no. 166VS(W).
4 & 5 pole

