

DBM2 Metal Enclosure



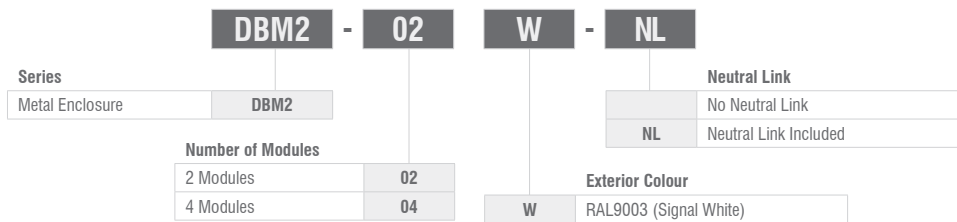
Technical Datasheet

Key Features

- Fully enclosed metal construction with drop-down metal cover
- Multiple circular cable entry knockouts on the top and bottom
- Circular cable entry knockouts on sides
- Raised key holes for secure easy installation
- Raised DIN Rail improves cable routing
- Complies with BS7671 Amendment 3:2015 and BS EN 61439-3
- Captive screws
- IP20 protection rating
- Neutral link option (DBM2-04W-NL only)
- 3-Way insulated busbar (DBM2-04W only)
- Optional plastic blanking modules



Options & Ordering Codes



Specifications

Part Number	DBM2-02W	DBM2-04W	DBM2-04W-NL
Number of Modules	2	4	4 (with Neutral Link)
Construction Material	Metal		
Protection Rating	IP20		
Colour	Signal White - RAL9003		

Accessories

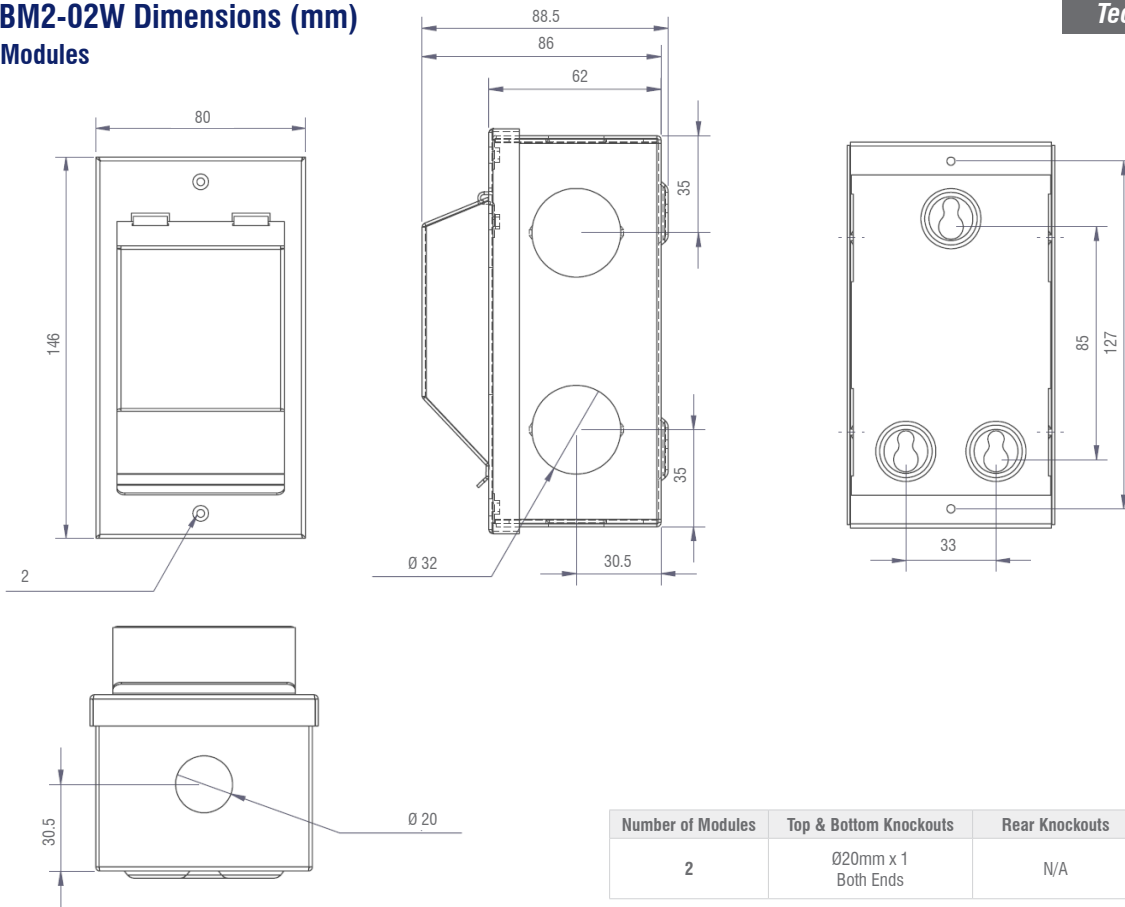
E-BLANK	Plastic Blanking Modules
---------	--------------------------

DBM2 Metal Enclosure



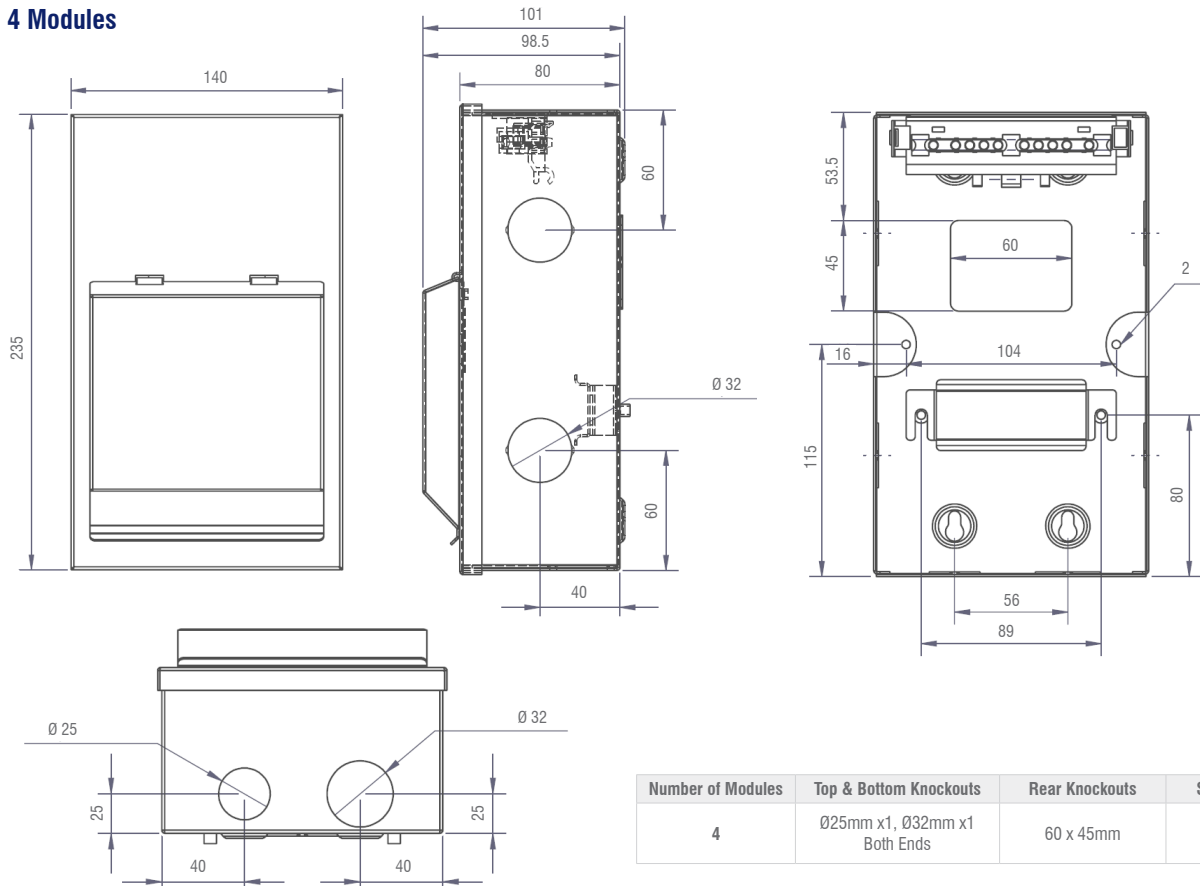
DBM2-02W Dimensions (mm) 2 Modules

Technical Datasheet



Number of Modules	Top & Bottom Knockouts	Rear Knockouts	Side Knockouts
2	Ø20mm x 1 Both Ends	N/A	Ø32mm x2 Both Sides

DBM2-04W Dimensions (mm) 4 Modules



Number of Modules	Top & Bottom Knockouts	Rear Knockouts	Side Knockouts
4	Ø25mm x1, Ø32mm x1 Both Ends	60 x 45mm	Ø32mm x2 Both Sides