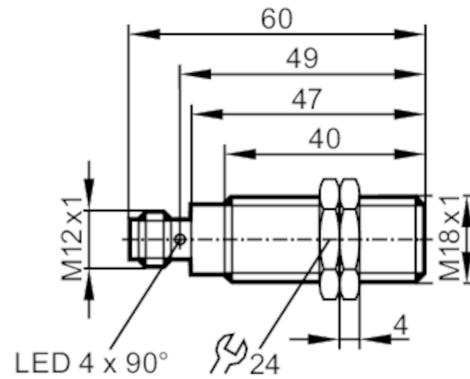


MGS204



Full-metal magnetic sensor

MGK3070-BPKG/AM/G/US



Product characteristics	
Electrical design	PNP
Output function	normally open
Sensing range [mm]	70; (referred to magnet M 4.0)
Housing	threaded type
Dimensions [mm]	M18 x 1 / L = 60
Application	
Special feature	Gold-plated contacts; Full-metal housing
Pressure rating [bar]	100
Electrical data	
Operating voltage [V]	10...30 DC
Current consumption [mA]	< 10
Protection class	III
Reverse polarity protection	yes
Outputs	
Electrical design	PNP
Output function	normally open
Max. voltage drop switching output DC [V]	2.5
Permanent current rating of switching output DC [mA]	200
Switching frequency DC [Hz]	5000
Short-circuit protection	yes
Overload protection	yes
Detection zone	
Sensing range [mm]	70; (referred to magnet M 4.0)
Response sensitivity [mT]	0.9
Accuracy / deviations	
Hysteresis [% of Sr]	1...10

MGS204



Full-metal magnetic sensor

MGK3070-BPKG/AM/G/US

Operating conditions

Ambient temperature	[°C]	-25...75
Protection		IP 65; IP 67

Tests / approvals

EMC	EN 61000-4-2 ESD	4 kV CD / 8 kV AD
	EN 61000-4-3 HF radiated	10 V/m
	EN 61000-4-4 Burst	2 kV
	EN 61000-4-5 Surge	0,5 kV line to line, Ri: 2 Ohm
	EN 61000-4-6 HF conducted	10 V
	EN 55011 emission	class B
	DIN ISO 11452-2	100 V/m
MTTF	[years]	1370

Mechanical data

Weight	[g]	49.7
Housing		threaded type
Dimensions	[mm]	M18 x 1 / L = 60
Thread designation		M18 x 1
Materials		housing: stainless steel (1.4404 / 316L); sensing face: stainless steel (1.4404 / 316L); plug: PA; lock nuts: brass
Full-metal housing		yes

Displays / operating elements

Display	switching status	1 x LED, yellow
---------	------------------	-----------------

Accessories

Accessories (supplied)		lock nuts: 2
------------------------	--	--------------

Remarks

Pack quantity		1 pcs.
---------------	--	--------

Electrical connection - plug

Connector: 1 x M12; Contacts: gold-plated



MGS204



Full-metal magnetic sensor

MGK3070-BPKG/AM/G/US

Connection

