

M12 male 0° with cable

PUR 5x0.34 ye UL/CSA+drag chain 30m

M12

Male straight

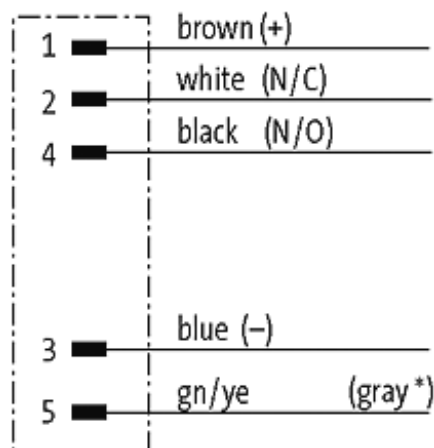
5-pole

Art.-No. 7005 - M12 Lite - (plastic hexagonal screw) on request

Plastic housings with good resistance against chemicals and oils. The resistance to aggressive media should be individually tested for your application. Further details on request. Further cable lengths on request.

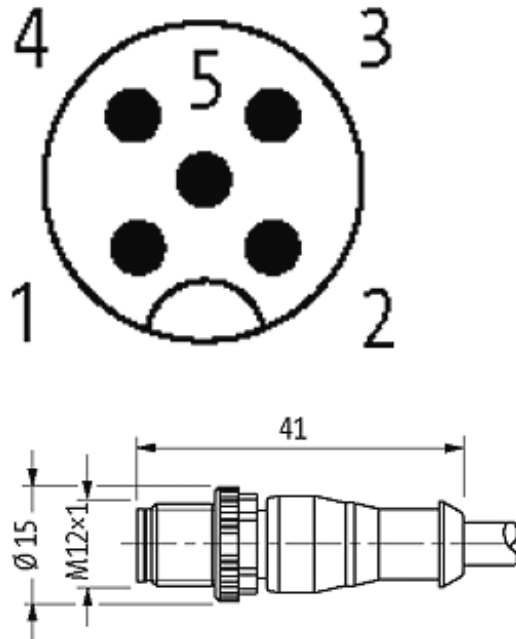
[Link to Product](#)

Illustration



(* for cable type 126 and 732)

Male



Product may differ from Image

Approvals



* only for products with UL/CSA approved cable

Form

12041

Technical Data

| | |
|-------------------------------|---|
| Operating voltage | max. 125 V AC/DC |
| Operating current per contact | max. 4 A |
| Locking of ports | Screw thread M12 × 1 mm (recommended torque 0.6 Nm) self-securing |
| Protection | IP67 inserted and tightened (EN 60529) |

Cables

| | |
|-----------------------|--------------------------|
| Cable number | 126 |
| No./diameter of wires | 5 × 0.34 mm ² |
| Wire isolation | PP (br, wh, bl, bk, gr) |
| C-track properties | 5 Mio. |
| Torsion | 2 Mio. ± 180°/m |

| | |
|-----------------------------|------------------------------|
| Jacket Color | yellow |
| Shore hardness outer jacket | 90 ± 5A |
| Material (jacket) | PUR (UL/CSA) wire color gray |
| Outer diameter | approx. 5.0 mm |
| Bend radius (fixed) | 5 × outer Ø |
| Bend radius (moving) | 10 × outer Ø |
| Temperature range (fixed) | -40...+80 °C |
| Temperature range (mobile) | -25...+80 °C |

Commercial data

| | |
|------------------------|----------|
| country of origin | DE |
| customs tariff number | 85444290 |
| minimum order quantity | 1 |