



RFID NON-CONTACT SAFETY SWITCH  
 RECTANGULAR 25MM X 91MM, INDIVIDUALLY  
 CODED, SINGLE TEACH-IN CAPABILITY WITH M12  
 CONNECTOR 8-POLE ORDER ACTUATOR  
 SEPARATELY 3SE6310-0BC01

|                       |  |                            |
|-----------------------|--|----------------------------|
| Product designation   |  | RFID safety switch         |
| Design of the product |  | RFID safety cut-out switch |

**General technical data:**

|  |  |                                  |
|--|--|----------------------------------|
| <b>Product function</b>  |  |                                  |
| <ul style="list-style-type: none"> <li>• positive opening</li> </ul>       |  | No                               |
| <b>Shock resistance</b>  |  |                                  |
| <ul style="list-style-type: none"> <li>• acc. to IEC 60068-2-27</li> </ul> |  | Sinusoidal half-wave 30g / 11 ms |
| <b>Vibration resistance</b>  |  |                                  |
| <ul style="list-style-type: none"> <li>• acc. to IEC 60068-2-6</li> </ul>  |  | 10 ... 55 Hz: 1 mm               |
| <b>Protection class IP</b>   |  | IP65, IP67, IP69k                |

**Enclosure:**

|                                  |  |         |
|----------------------------------|--|---------|
| <b>Material of the enclosure</b> |  | plastic |
| <b>Material of cable sheath</b>  |  | PVC     |

**Drive Head:**

|  |  |                    |
|--|--|--------------------|
| <b>Design of the operating mechanism</b> |  | RFID               |
| <b>Design of the switching function</b>  |  | positive switching |

**Connections/ Terminals:**

|                                      |  |               |
|--------------------------------------|--|---------------|
| <b>Type of electrical connection</b> |  | connector M12 |
|--------------------------------------|--|---------------|

**Safety related data:**

|   |  |      |
|---|--|------|
| <b>Safety Integrity Level (SIL) acc. to IEC 61508</b> |  | SIL3 |
| <b>Performance level (PL) acc. to EN ISO 13849-1</b>  |  | e    |
| <b>Category acc. to EN 954-1</b>                      |  | 4    |

**Ambient conditions:**

|                            |    |             |
|----------------------------|----|-------------|
| <b>Ambient temperature</b> |    |             |
| • during operation         | °C | -25 ... +70 |

|                        |   |               |
|------------------------|---|---------------|
| <b>Supply voltage:</b> |   |               |
| <b>Supply voltage</b>  | V | 26.4 ... 20.4 |

|  |   |      |
|--|---|------|
| <b>Inputs/ Outputs:</b>                                |   |      |
| <b>Output current</b>                                  | A | 0.5  |
| <b>Output current at safety-related output maximum</b> | A | 0.25 |

|                                    |  |     |
|------------------------------------|--|-----|
| <b>Display:</b>                    |  |     |
| <b>Evaluation version required</b> |  | yes |

|  |  |              |
|--|--|--------------|
| <b>Installation/ mounting/ dimensions:</b> |  |              |
| <b>Mounting type</b>                       |  | screw fixing |

**Certificates/ approvals:**

|                                 |  |                                  |              |
|---------------------------------|--|----------------------------------|--------------|
| <b>General Product Approval</b> | <b>Functional Safety/Safety of Machinery</b> | <b>Declaration of Conformity</b> | <b>other</b> |
|---------------------------------|--|----------------------------------|--------------|



[Type Examination Certificate](#)



[Declaration of Conformity](#)

UL

EG-Konf.

**Further information**

**Information- and Downloadcenter (Catalogs, Brochures,...)**

<http://www.siemens.com/industrial-controls/catalogs>

**Industry Mall (Online ordering system)**

<http://www.siemens.com/industrymall>

**Cax online generator**

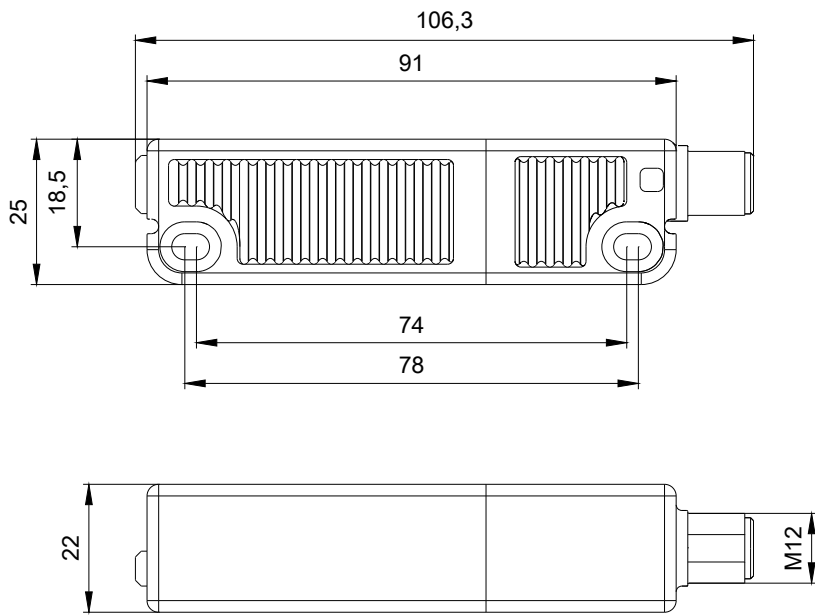
<http://support.automation.siemens.com/WW/CAXorder/default.aspx?lang=en&mlfb=3SE63150BB03>

**Service&Support (Manuals, Certificates, Characteristics, FAQs,...)**

<http://support.automation.siemens.com/WW/view/en/3SE63150BB03/all>

**Image database (product images, 2D dimension drawings, 3D models, device circuit diagrams, EPLAN macros, ...)**

[http://www.automation.siemens.com/bilddb/cax\\_de.aspx?mlfb=3SE63150BB03&lang=en](http://www.automation.siemens.com/bilddb/cax_de.aspx?mlfb=3SE63150BB03&lang=en)



last modified:

09.03.2015