

Mounting Clamp for \varnothing 4 mm

BSD4NB

Part Number

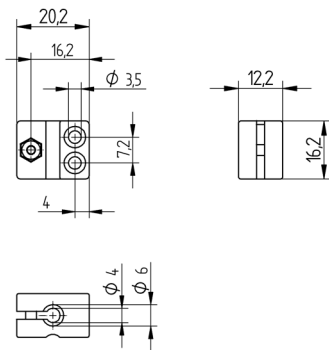
Technical Data

Mechanical Data

Material	Plastic
Packaging unit	1 Piece
Mounting Number	300



- For flush and non-flush sensors
- Simple installation



All dimensions in mm (1 mm = 0.03937 Inch)

