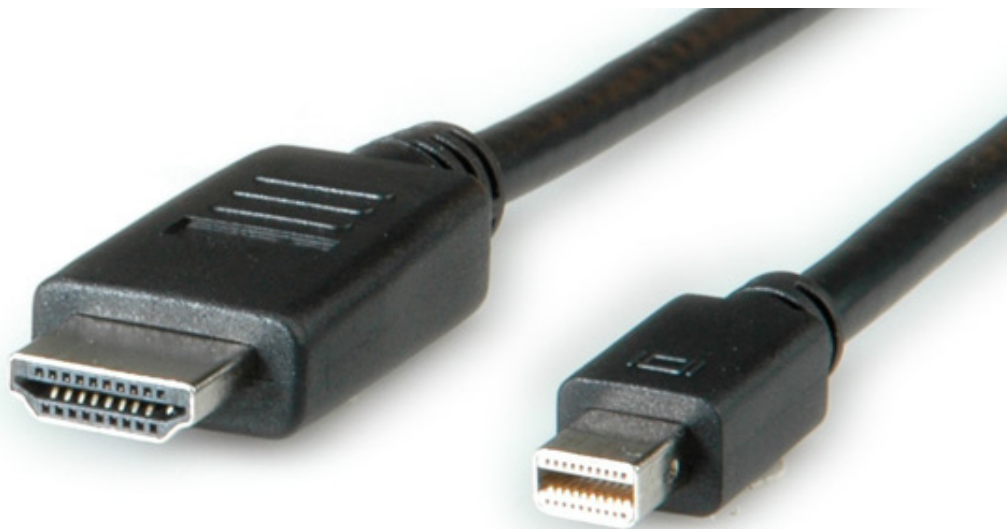




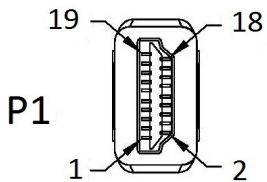
**Datenblatt - Fiche technique - Data sheet
11.04.5793**



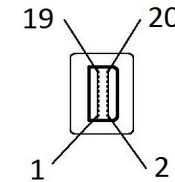
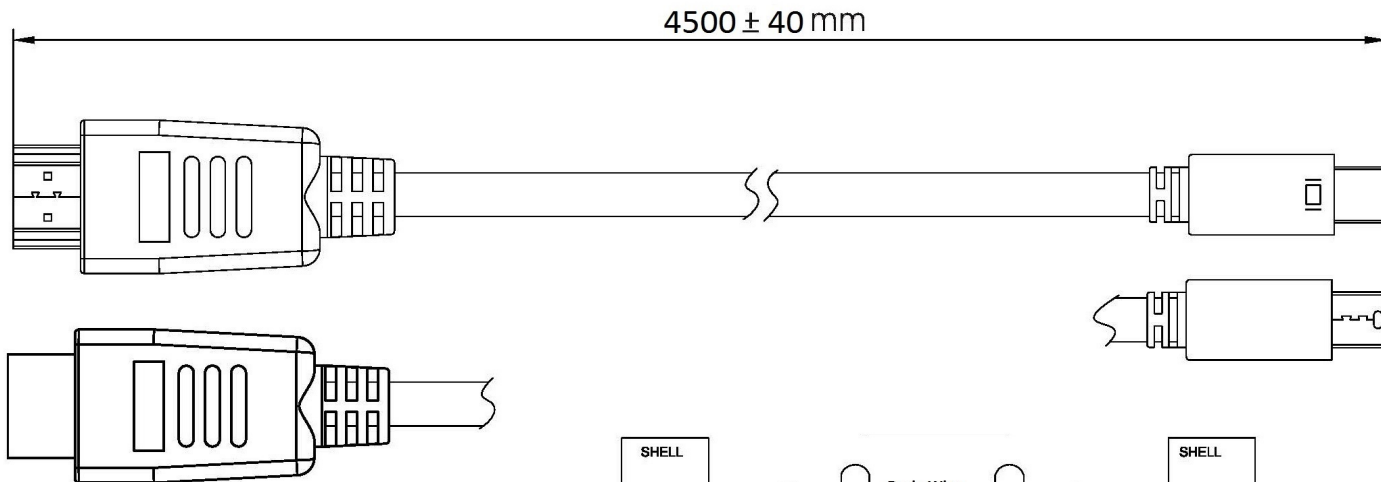
ROLINE Mini DisplayPort Kabel, Mini DP-HDTV, ST/ST, 4,5m

ROLINE Mini DisplayPort Câble, Mini DP – HDTV, M/M, 4,5m

ROLINE Mini DisplayPort Cable, Mini DP-HDTV, M/M, 4.5m

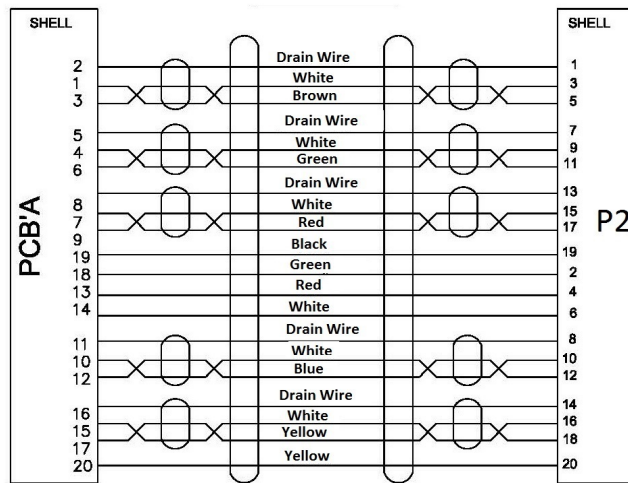
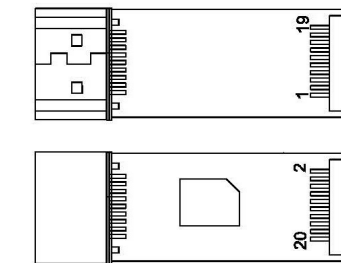


P1



P2

MINI DP PLUG



SPECIFICATION:

- Cable: UL20276 (30AWGx1P + D + AL/MY)x5P + 30AWGx5C + F + ADB16/5/0.12(AL), Jacket PVC Black, OD=6.0±0.20mm(No LOGO)
- Connector: Mini DP(M), Soldering Type, White Insulator, Nickel Plating
- Connector: DP to HDTV A/M Black Insulator, PCBA, Nickel Plating
- Inner Mold: LDPE (RoHS)-PE101
- Outer Mold: 60P Black PVC

REV.	DATE	CONTENTS OF CHANGE	DESIGNER	TOL ±	Plc	Met	Ins	Por	Cab	Pac	Gas	DIS	APPROVAL	CHECK	DATE	Item No.	11.04.5793
①				RANGE									PHILIP	PHILIP	2015-08-18	ROLINE Mini DP Cable, Mini DP-HDTV, M/M, 4.5m, black	
②				0~6	0.1	0.1	0.1	0.2	0.5	1	0.5	0.2					
③				6~30	0.1	0.1	.15	.25	1	1	0.5	.25					
④				30~80	0.1	.15	0.2	0.3	2	1.5	1	0.3					
⑤				80~180	.15	.15	.25	0.3	2	2	1	.45					
⑥				180~315	.15	0.2	0.3	0.4	2.5	2	1	0.6					
⑦				315~800	0.2	0.3	0.4	0.5	3	3	2	1.1	SCALE	1:1	UNIT	MM	

