

Index Plungers · with hexagon collar, short
22120.0228



Product Description

Index plungers are used for indexing bores.
The small dimensions are a feature of these index plungers.

Material

Body

- Free cutting steel, blackened

Locking pin

- Steel, hardened

Knob

- Thermoplastic PA 6, black, dull

Assembly

The screw length can be adapted by distance collars for index plungers (EH 22120.).

Operation

When using locking index plungers, the knob is pulled-out, turned 90° and secured by a notched catch (when locking pin should not overhang).

More information

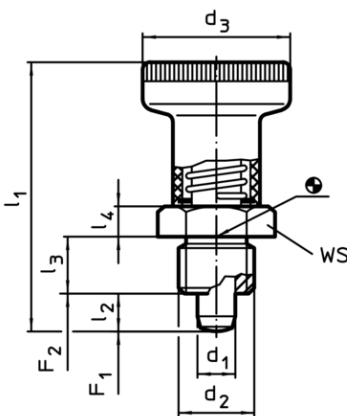
Notes

Knob not removable.
Lock nuts have to be purchased separately.

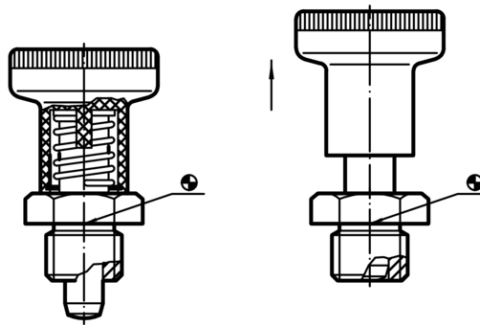
Further products

- Locating Bushings, for index bolts and index plungers
- Distance Collars, for index plungers

Drawing



picture 1





picture 2 with locking

Order information

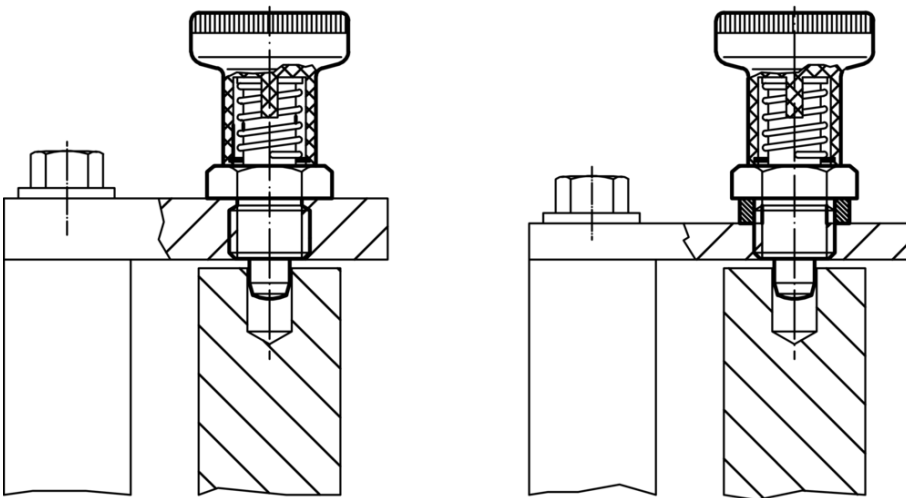
Dimensions							WS	Spring load ¹⁾		Temperature		Weight	Art. No.		
d ₁	d ₂	d ₃	l ₁	l ₂	l ₃	l ₄		F ₁	F ₂	min.	max.				
-0.02			~	min.	-0.15			~							
-0.04															
[mm]													[N]	[°C]	[g]
without locking – picture 1, Free cutting steel															
8	M16 x 1,5	31	54	8	12	6	19	14	24	-30	80	62	22120.0228		

¹⁾ statistical average value

Accessories

	Dimensions d_2 [mm]	Wrench size [mm]	 [g]	Art. No.
Lock nuts ISO 8675 (DIN 439), steel				
	M16 x 1,5	24	15.0	22120.0118

Application example



Compliance

RoHS compliant

Contains lead - compliant according to exceptions 6a / 6b / 6c

Contains SVHC substances >0,1% w/w

Contains lead - SVHC list [REACH] as of 10.06.2022

Contains Proposition 65 substances



Lead can cause cancer and reproductive harm from exposure
<https://www.P65Warnings.ca.gov/>

Free from Conflict Minerals

This product does not contain any substances designated as "conflict minerals" such as tantalum, tin, gold or tungsten from the Democratic Republic of Congo or adjacent countries.