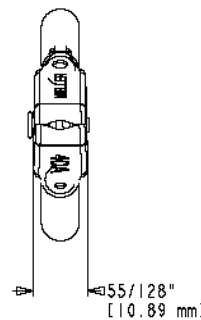
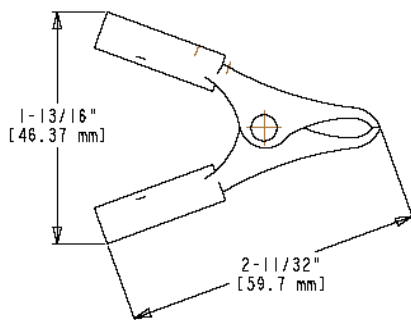
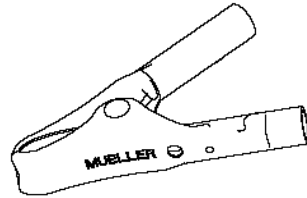




Part Number: BU-40A- */ BU-40C- *
Description: Micro Plier-Type Clip

3107



- Micro Plier-Type Clip
- Solder or crimp connection
- Jaw opens 0.75" (19 mm) max
- Material: nickel-plated steel (BU-40A) or solid copper (BU-40C), PVC insulator (BU-42PR-*)
- Length: 2.3" (58 mm)
- *Std Colors: Insulator (BU-42PR-*) -0 Black , -2 Red
- Rating: 15 Amps (BU-40A), 20 Amps (BU-40C)
- RoHS Compliant