

COVERS & PULLERS

COVERS:

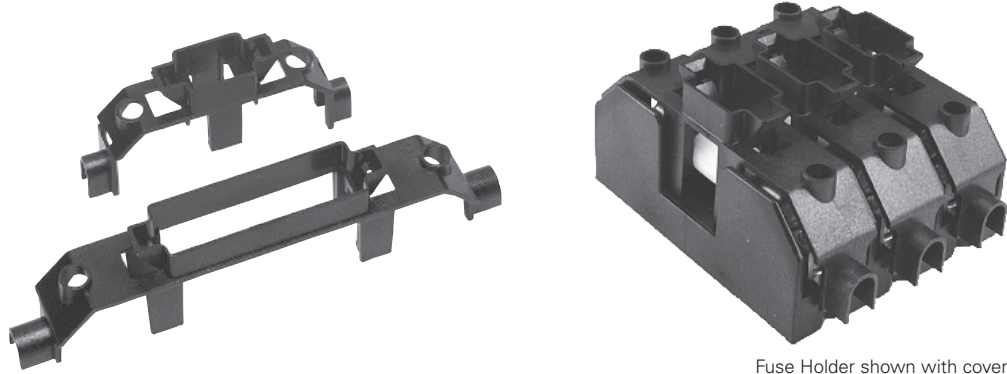
UL listed accessories under file no. JDVS2.E181825

Opening allows view of self-indicating fuses

Holes for test probes and re-tightening of wire terminations

Provides IP20 (touchsafe) protection per IEC 60529 (30A & 60A models)

RoHS compliant



Fuse Holder shown with covers attached

FUSE TYPE	AMPS	VOLTAGE	CATALOG #	FOR USE WITH FUSE HOLDER #	IP20 (FINGER SAFE)*
H/R	30	250	CHR230	F30A / R30A	Yes
H/R	60	250	CHR260	F60A / R60A	Yes
H/R	100	250	CHR2100	RF100A / R100A	Yes
H/R	30	600	CHR630	6F30A / 6R30A	Yes
H/R	60	600	CHR660	6F60A / 6R60A	Yes
H/R	100	600	CHR6100	R6F100A / 6R100A	Yes
J	30	600	CJ630	6J30A	Yes
J	60	600	CJ660	6J60A	Yes
J	100	600	CJ6100-1C	R6J100A	No
J	100	600	CJ6100-2C	R6J100A	No
J	100	600	CJ6100-3C	R6J100A	No
CC, G	30	600	CC630	6CC30A	Yes
CD	60	600	CC660	R6CC60A	Yes
MISC	30	600	CCM630**	6M30A / 6CCM30A	Yes

*Applications involving fuse holders other than Marathon may not provide IP20 finger protection

**Covers are recognized if used with recognized fuses

COVER-PULLER (CATALOG # CVR-MCC):

For use with

- Class CC (30 amp)
- Midget, 10 x 38 (30 amp)
- Class G (15 & 20 amp only)

Provides IP20 (touchsafe) protection per IEC 60529 (30A & 60A models)

RoHS compliant

