



EV3371-R-00A

8-Channel, Synchronous Boost WLED Driver with I²C Interface

DESCRIPTION

The EV3371-R-00A is an evaluation board designed for the MP3371, a synchronous boost converter with eight current channels designed to drive WLED arrays for LCD panels in tablets and notebook backlighting applications.

The MP3371 uses peak current mode and pulse-width modulation (PWM) control to regulate the boost converter. The MP3371 employs a standard I²C digital interface to set the operation mode, switching frequency, full-scale current for each channel, sync or non-sync mode, dimming mode and duty, and various protection thresholds.

The MP3371 features high efficiency due to low-headroom voltage for LED regulation and a small on resistance of the switching MOSFET. The synchronous rectifier saves PCB size and total BOM cost.

The MP3371 is available in a QFN-24 (4mmx4mm) package.

ELECTRICAL SPECIFICATIONS

Parameter	Symbol	Value	Units
Input voltage	V _{IN}	3 to 30	V
Output voltage	V _{LED}	<45	V
LEDs#		8 strings	
LED current /string	I _{LED}	50	mA

FEATURES

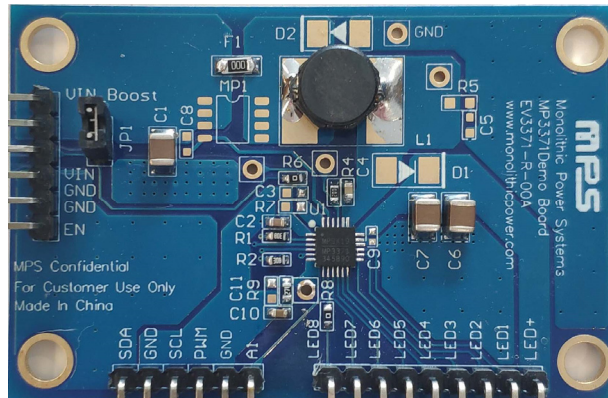
- 8 Channels with Maximum 50mA/Channel
- Synchronous Converter with 50V LS-FET /HS-FET with 155m/235mΩ On Resistance
- 3V to 30V Input Voltage Range
- 470mV LED Regulation Voltage at 20mA
- Max 2.5% Current Matching
- 350kHz, 500kHz, 650kHz, 800kHz, 950kHz, or 1.2MHz Selectable Switching Frequency
- A1 Pins for Two I²C Addresses
- 0mA to 50mA Full-Scale LED Current, 8-Bit, 0.196mA/Step
- Selectable Sync or Non-Sync Mode
- Multi-Dimming Operation Mode Including:
 - Analog Dimming through External PWM Input or I²C Interface, 10-Bit Resolution
 - PWM Dimming through External PWM Input or I²C Interface, 14-Bit Resolution
 - Mixed Dimming Mode through External PWM Input or I²C Interface with 6.25%, 12.5%, 25%, or 50% Transfer Point, 14-Bit PWM Duty Resolution
- Linear Smooth Dimming with 2μs, 4μs, 8μs, 16μs, 32μs, 64μs, or 128μs Step-Slope Set
- LED Short/Open, OTP, OCP, Inductor or Diode Short Protection
- 2.5V, 5V, 7.5V, or 10V LED Short Threshold
- 24V, 31V, 37.5V, or 45V OVP Threshold
- 1.8A or 2.5A Current Limit
- Cascade Function to Share Power Stage
- Available in a QFN-24 (4mmx4mm) Package

APPLICATIONS

- Tablets/Notebooks
- Automotive Displays

All MPS parts are lead-free, halogen-free, and adhere to the RoHS directive. For MPS green status, please visit the MPS website under Quality Assurance. "MPS", the MPS logo, and "Simple, Easy Solutions" are trademarks of Monolithic Power Systems, Inc. or its subsidiaries.

EV3371-R-00A EVALUATION BOARD



(LxW) 6.2cmx4.4cm

Board Number	MPS IC Number
EV3371-R-00A	MP3371GR

QUICK START GUIDE

- Connect the power supply (3V to 30V) to:
 - Positive (+): VIN
 - Negative (-): GND
- Connect the load panel (8 strings) to:
 - Positive (+): VOUT
 - Negative (-): LED1–LED8

Connect any unused LEDx pins to GND using a 0Ω resistor.
- Connect the EN pin to enable a high-level (>1.5V) signal.
- Connect the SCL, SDA, and GND pins of the evaluation board to their respective locations on the I²C interface via the configurable kit (EVKT USBI2C-02).
- If working in external dimming mode, add a PWM input signal to the PWM terminal on the evaluation board. If working in internal dimming mode, leave the PWM pin floating or pull it to GND.

POWER-ON SEQUENCE

- VIN powers on.
- EN powers on.
- Set the register via the I²C interface (see Figure 1).
- The PWM signal and LED string(s) should turn on. Program the PWM duty cycle to dim the LED current.

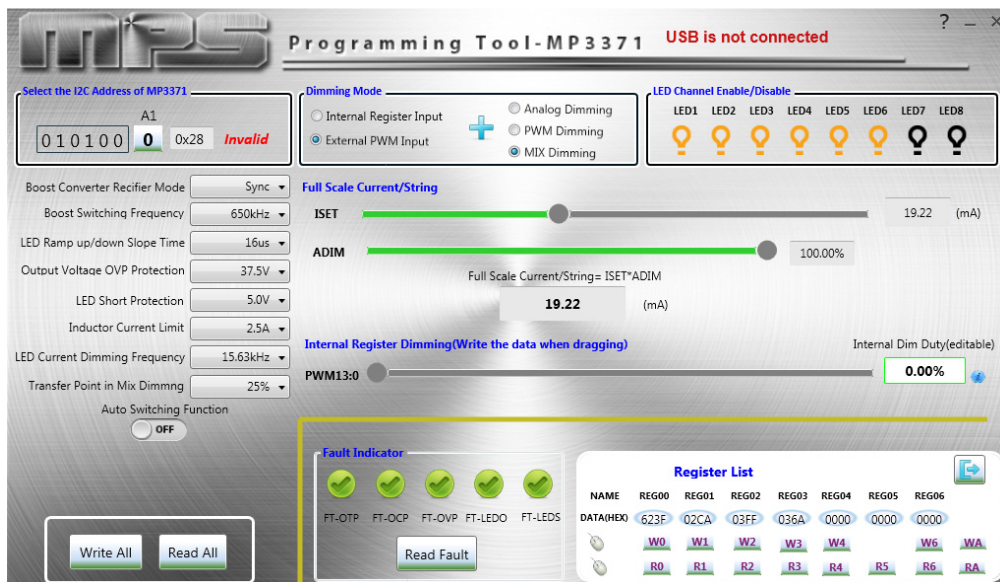
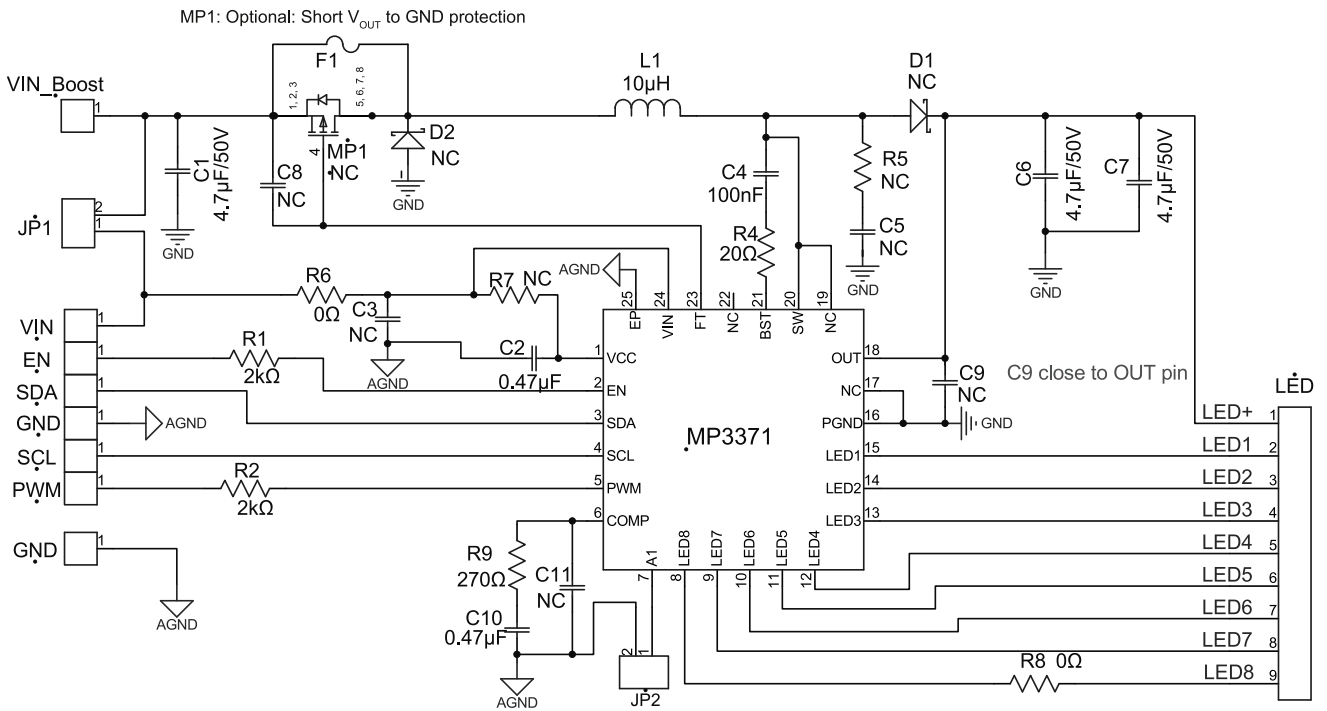


Figure 1: MP3371 GUI Interface

EVALUATION BOARD SCHEMATIC



EV3371-R-00A BILL OF MATERIALS

Qty	Ref	Value	Description	Package	Manufacturer	Manufacturer P/N
1	F1	0Ω	Fuse or resistor	1206	muRata	RC1206JR-070RL
1	MP1	NC	PMOS	SOIC-8		
3	C1, C6, C7	4.7uF	Ceramic capacitor, 50V, X7R	1210	muRata	GRM32ER71H475KA88L
2	C2, C10	470nF	Ceramic capacitor, 16V, X7R	0603	muRata	GRM188R71C474KA88D
1	C4	100nF	Ceramic capacitor, 16V, X7R	0603	muRata	GRM188R71C104KA01D
1	C3	NC	Ceramic capacitor, 50V	0603		
3	C5, C8, C11	NC	Ceramic capacitor, 50V	0603		
1	C9	NC	Ceramic capacitor, 50V	0402		
1	D1	NC	B160	SMA		
1	D2	NC		SMA		
1	L1	10uH	Inductor, 36mΩ, 3.2A	SMD	KENJET	KJH8D43-100N
2	R1, R2	2kΩ	Resistor, 2kΩ, 1%	0603	Yageo	RC0603FR-072KL
1	R4	20Ω	Resistor, 20Ω, 1%	0603	Yageo	RC0603FR-0720RL
2	R6, R8	0Ω	Resistor, 0Ω, 1%	0603	Yageo	RC0603FR-070RL
1	R9	270Ω	Resistor, 270Ω, 1%	0603	Yageo	RC0603FR-07270RL
2	R5, R7	NC	Resistor	0603		
1	JP1	Connector	2.54mm, 180°			
1	U1	MP3371	LED driver with I ² C interface	QFN-24 (4mmx4mm)	MPS	MP3371GR

PCB LAYOUT

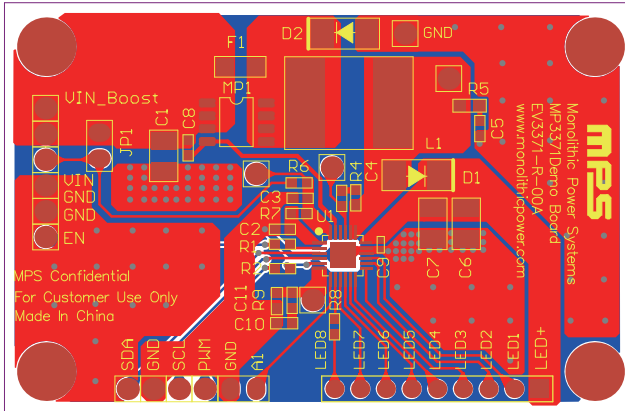


Figure 1: Top Layer

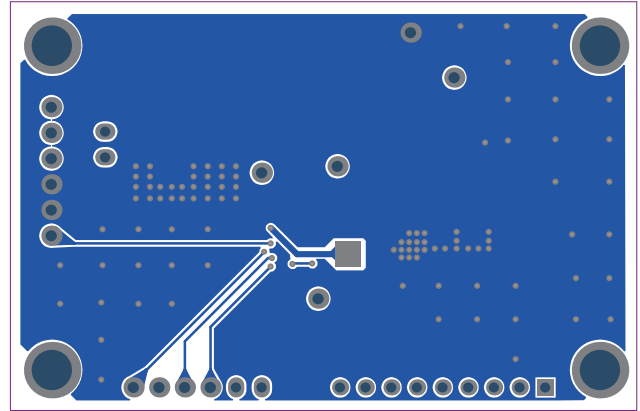


Figure 2: Bottom Layer

Notice: The information in this document is subject to change without notice. Users should warrant and guarantee that third-party Intellectual Property rights are not infringed upon when integrating MPS products into any application. MPS will not assume any legal responsibility for any said applications.