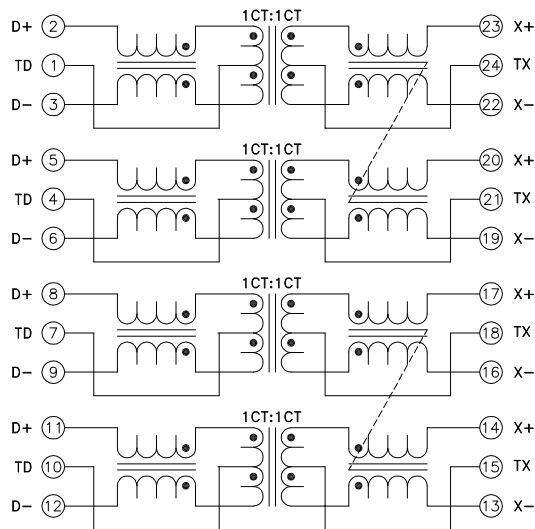
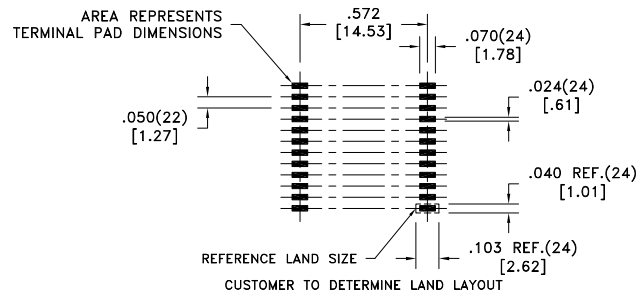
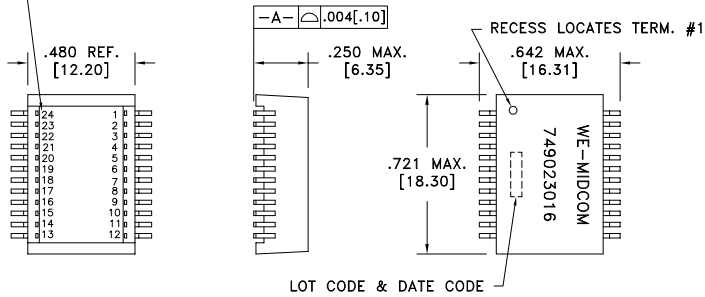


CUSTOMER TERMINAL	RoHS	LEAD(Pb)-FREE
Sn96% Ag4%	Yes	Yes

more than you expect



TERM. NO.'s FOR REF. ONLY



ELECTRICAL SPECIFICATIONS @ 25°C unless otherwise noted:

PARAMETER	TEST CONDITIONS	VALUE	
INDUCTANCE	23-22	100kHz, 100mVAC, 8mADC, Lp	350uH min.
INDUCTANCE	20-19	100kHz, 100mVAC, 8mADC, Lp	350uH min.
INDUCTANCE	17-16	100kHz, 100mVAC, 8mADC, Lp	350uH min.
INDUCTANCE	14-13	100kHz, 100mVAC, 8mADC, Lp	350uH min.
DIELECTRIC	1-24	tie(1+4+7+10, 15+18+21+24) 1800Vrms, 1 second	1500Vrms, 1 minute
INSERTION LOSS		300k - 125MHz	-1.2dB max.
RETURN LOSS		500kHz - 40MHz	-18dB min.
RETURN LOSS		40M - 60MHz	-15dB min.
RETURN LOSS		60M - 80MHz	-12dB min.
RETURN LOSS		80M - 100MHz	-10dB min.
CROSSTALK		300kHz - 100MHz	-35dB min.
CMRR		300k - 32MHz	-42dB min.
CMRR		32M - 100MHz	-33dB min.

GENERAL SPECIFICATIONS:

OPERATING TEMPERATURE RANGE: 0°C to +70°C.

COPLANARITY: All 24 terminals must lie on a plane within .004 [.10] of Surface A after lead tinning.

Designed to handle 350mADC and meet 802.3af.

REV.	DATE	Packaging Specifications	CONVENTION PLACEMENT
6C	3/16	Method: Tape & Reel PKG-0653 www.we-online.com/midcom	
6B	2/10		
6A	2/08	SEE REVISION SHEET FOR REVISION LEVEL	

Tolerances unless otherwise specified:
 Angles: ±1°
 Fractions: ±1/64
 Decimals: ±.005 [.13]
 Footprint: ±.005 [.13]

This drawing is dual dimensioned. Dimensions in brackets are in millimeters.

DRAWING TITLE
TRANSFORMER
 Gigabit & PoE

eiSos p/n: 749023016

PART NO.
749023016

SPECIFICATION SHEET 1 OF 1