

VR Series

Heat Sinks For TO-220, TO-247, Ohmite CS10, and IXYS I4 and CPC PAK

Ohmite introduces the VR series heatsink (Pat. Pending). This series offers a low profile, large surface area and is configurable using a universal cam clip system. The VR series is designed to accommodate TO-220, TO-247, and high power IXYS packages. The VR series is thru hole soldered onto PCBs and is ideal for compact (1U or 2U) packaging with forced convection cooling.



SERIES SPECIFICATIONS

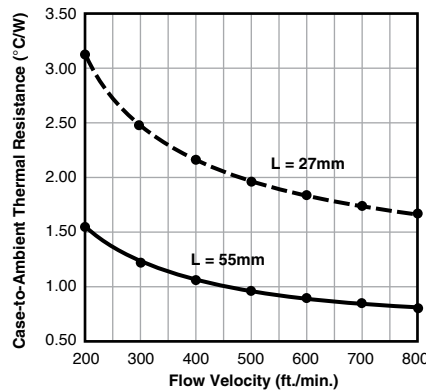
Heatsink Part Number	Surface Area (in ² / mm ²)	Weight (oz / g)	Length L (in. / mm)
VRA-27-101E	14 / 9,112	.95 / 27	1.06 / 27
VRV-27-101E*			
VRA-55-101E	28 / 18,224	1.9 / 54	2.17 / 55
VRV-55-101E*			

* Note: Anodized parts are standard; degreased available on request.

CHARACTERISTICS

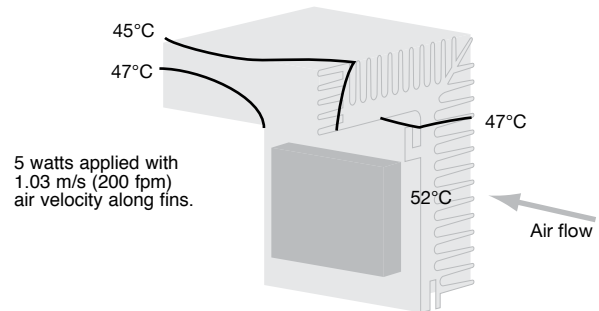
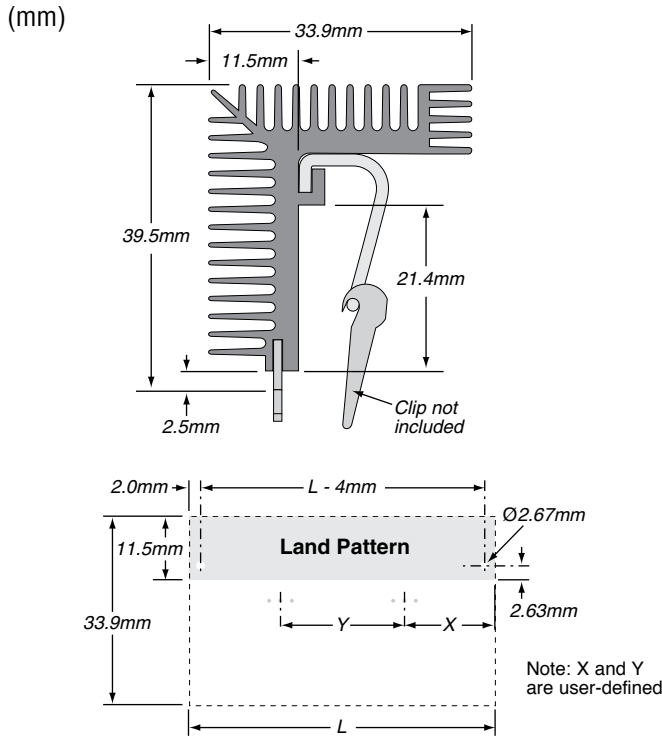
Heat Sink	AL6063-T5
Spring Clip	Music wire, per ASTM A228 with bright nickel plating
Solder Feet	Steel or brass with pure tin plated. RoHS compliant

Thermal Performance



- Power Dissipation is 10W, for L=27m, single device, 20W for L=55mm, double devices
- Heat Load Area 18mm X 23mm, metal tab
- Use T-pcm as Thermal Interface Material or other TIMs, but the thickness must be smaller than 0.01"
- Ducted Air Flow

DIMENSIONS



HOW TO ORDER

Heatsink

VRV-55-101E

Series VX | Finish A = anodized, V = degreased | Extrusion Length in mm | Modifier | RoHS Compliant

Clip

Not included with heatsink

CLA-PB-18E

Clip series | Type | Configuration | RoHS compliant