



MASTER PL-Electronic

MASTER PLE-C 8W/827 E27 230-240V 1CT

Non-covered energy-saving MASTER lamps - the perfect choice for end users who demand the best performance and reliability. With a wide product range with different wattages, it offers comprehensive choices to suit different usages and applications

Product data

• General Characteristics

Cap-Base	E27
Bulb	Stick
Life to 50% failures	15000 hr
Nominal Lifetime	15000 hr
Rated Lifetime (hours)	15000 hr
Rated Lifetime (years)	15 an

• Light Technical Characteristics

Color Code	827 [CCT of 2700K]
Color Rendering Index	82 Ra8
Color Designation (text)	Warm White
Color Temperature	2700 K
Color Temperature Technical	2700 K
Luminous flux lamp	432 Lm
Rated Luminous Flux	432 Lm
Luminous Efficacy Lamp	50 Lm/W
Lumen Maintenance 2000h	90 %
Lumen Maintenance 5000h	85 %
LLMF - end nominal lifetime	65 %
Chromaticity Coordinate X	467 -
Chromaticity Coordinate Y	424 -

• Electrical Characteristics

Rated Wattage	8 W
Lamp Wattage	8 W
Power Factor	0.52 -
Voltage	230-240 V
Lamp Current mA	65 mA
Line Frequency	50/60 Hz
Dimmable	No
Wattage Equivalent	40 W
Starting Time	0.2 (max) s
Warm-up Time to 60% Light Outp	10 (min), 60 (max) s

• Environmental Characteristics

Energy Efficiency Label (EEL)	A [A]
Mercury (Hg) Content	1.41 mg
Energy consumption kWh/1000h	8 kWh

• Measuring Conditions

Switching cycle	20000X
-----------------	--------

• Product Dimensions

Overall Length C	119.2 (max) mm
Diameter D	28.0 (max) mm
Width F	40.3 (max) mm

• Product Data

Order code	929730582709
Full product code	929730582709



asimpleswitch.com

PHILIPS

MASTER PL-Electronic

Full product name MASTER PLE-C 8W/827 E27
230-240V 1CT
Order product name MASTER PLE-C 8W/827 E27
230-240V 1CT/6
Pieces per pack 1
Packing configuration 6
Packs per outerbox 6
Bar code on pack -
EAN1 8711500263582

Bar code on
outerbox - EAN3 8718291685456
Logistic code(s) -
12NC 929730582709
ILCOS code FBT-8/27/1b-230/240-E27
Net weight per piece 60.000 gr

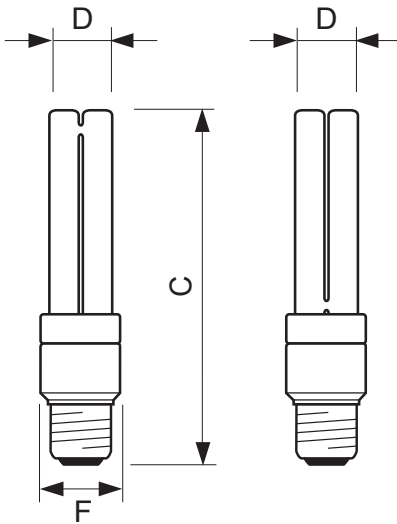
Warnings and Safety

- Breaking a lamp is extremely unlikely to have any impact on your health. If a lamp breaks, ventilate the room for 30 minutes and remove the parts, preferably with gloves. Put them in a closed plastic

bag and take it to your local waste facilities for recycling. Do not use a vacuum cleaner.

- Compact fluorescent lamps have to be treated as special waste, they must be taken to your local waste facilities for recycling. The European Lighting Industry has set up an infrastructure, capable of recycling mercury, other metals, glass etc.

Dimensional drawing



E27

MASTER PLE-C 8W/827 E27 230-240V 1CT

Product	C (Max)	D (Max)	F (Max)
PL E-C 8W/827 E27 230-240V 50/60Hz S34	119.2	28.0	40.3



© 2014 Koninklijke Philips N.V. (Royal Philips)
All rights reserved.

Specifications are subject to change without notice. Trademarks are the property of Koninklijke Philips N.V. (Royal Philips) or their respective owners.

www.philips.com/lighting

2014, June 19
data subject to change