



Rail D-Sub Backshells

TE Internal #: 1-2308298-2

D-Sub Backshells & Clamps, Quick Lock Pins, Shielded, Wire & Cable, -40 – 194 °F [-40 – 90 °C], Rail D-Sub Backshells

[View on TE.com >](#)

Connectors > D-Shaped Connectors > D-Sub Accessories > D-Sub Backshells & Clamps > Double Sided QLPIN Bulkhead



D-Shaped Connector Accessories: **Quick Lock Pins**

Shielded: **Yes**

Connector & Contact Terminates To: **Wire & Cable**

Operating Temperature Range: **-40 – 90 °C [-40 – 194 °F]**

[All Double Sided QLPIN Bulkhead \(6\)](#)

Features

Product Type Features

Clam Shell Length	Standard
Grommets	Without
Slide Latch	Without
Product Type	Backshell/Cable Clamp
D-Shaped Connector Accessories	Quick Lock Pins
Connector & Contact Terminates To	Wire & Cable

Mechanical Attachment

Screw & Hole Thread Size	None
--------------------------	------

Usage Conditions

Operating Temperature Range	-40 – 90 °C[-40 – 194 °F]
-----------------------------	---------------------------

Operation/Application

Shielded	Yes
----------	-----

Packaging Features

Packaging Quantity	500
Packaging Method	Box

Product Compliance



[For compliance documentation, visit the product page on TE.com>](#)

EU RoHS Directive 2011/65/EU	Compliant with Exemptions
EU ELV Directive 2000/53/EC	Not Yet Reviewed
China RoHS 2 Directive MIIT Order No 32, 2016	Restricted Materials Above Threshold
EU REACH Regulation (EC) No. 1907/2006	Current ECHA Candidate List: JUNE 2022 (224) Candidate List Declared Against: JUNE 2022 (224) SVHC > Threshold: Pb (3.5% in Component Part) Article Safe Usage Statements: Do not eat, drink or smoke when using this product. Wash thoroughly after handling. Recycle if possible and dispose of the article by following all applicable governmental regulations relevant to your geographic location.
Halogen Content	Low Halogen - Br, Cl, F, I < 900 ppm per homogenous material. Also BFR/CFR/PVC Free
Solder Process Capability	Not reviewed for solder process capability

Product Compliance Disclaimer

This information is provided based on reasonable inquiry of our suppliers and represents our current actual knowledge based on the information they provided. This information is subject to change. The part numbers that TE has identified as EU RoHS compliant have a maximum concentration of 0.1% by weight in homogenous materials for lead, hexavalent chromium, mercury, PBB, PBDE, DBP, BBP, DEHP, DIBP, and 0.01% for cadmium, or qualify for an exemption to these limits as defined in the Annexes of Directive 2011/65/EU (RoHS2). Finished electrical and electronic equipment products will be CE marked as required by Directive 2011/65/EU. Components may not be CE marked. Additionally, the part numbers that TE has identified as EU ELV compliant have a maximum concentration of 0.1% by weight in homogenous materials for lead, hexavalent chromium, and mercury, and 0.01% for cadmium, or qualify for an exemption to these limits as defined in the Annexes of Directive 2000/53/EC (ELV). Regarding the REACH Regulation, the information TE provides on SVHC in articles for this part number is based on the latest European Chemicals Agency (ECHA) 'Guidance on requirements for substances in articles' posted at this URL: <https://echa.europa.eu/guidance-documents/guidance-on-reach>

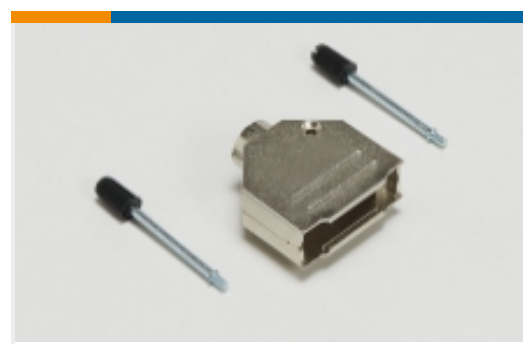
Compatible Parts



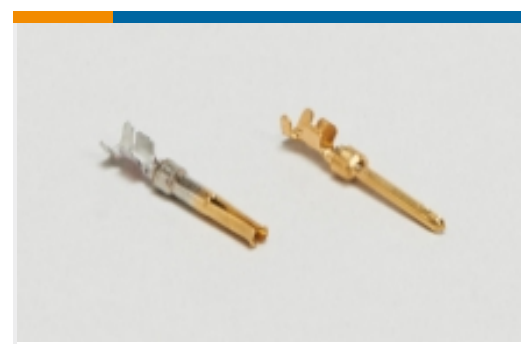
Also in the Series | [Rail D-Sub Backshells](#)



Crimp D-Sub Connectors(10)



D-Sub Backshells & Clamps(143)



D-Sub Connector Contacts(5)

Customers Also Bought



TE Part #3-106507-2
25P.HDP20 REC.ASSY.



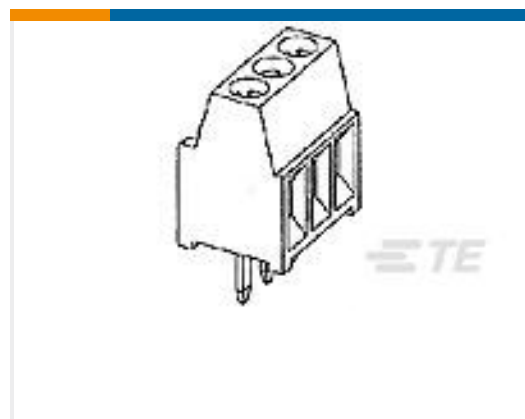
TE Part #1-2308265-3
QL SET FOR VARIANT B 3



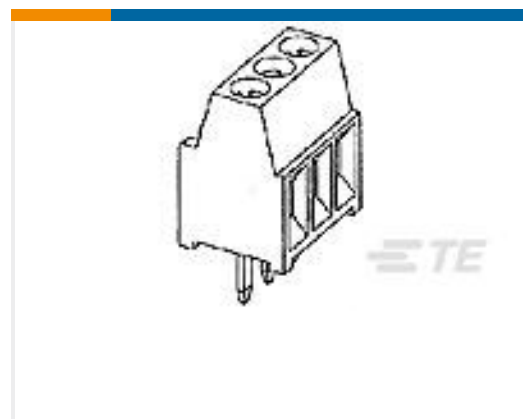
TE Part #1-2308273-1
QLPIN FOR D-SUB W/ FIXED FEMALE
SCREW.



TE Part #1-770968-0
04P MINI UMNL R/A HDR ASSY SN



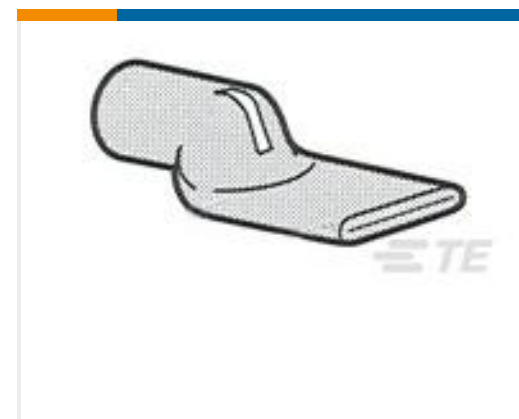
TE Part #282834-2
TERMI-BLOK PCB MOUNT, 90 2P.



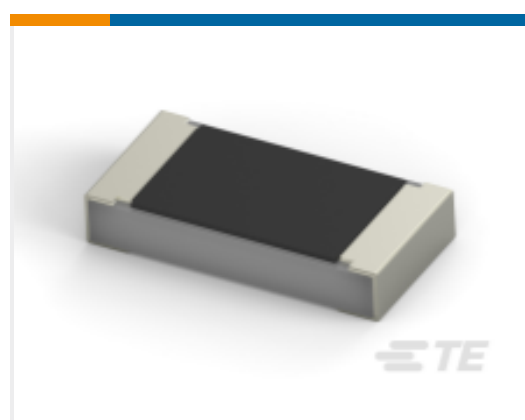
TE Part #282834-4
TERMI-BLOK PCB MOUNT, 90 4P.



TE Part #6-1879336-1
CPF 0603 976R 1% 50PPM 1K RL



TE Part #325308
TERMINAL,AMPOWER 1/0 0



TE Part #4-1614958-0
CPF 0805 2R49 0.1% 25ppm 1K RL

Documents

Product Drawings

[QL-SET FOR VAR. E LATCH PIN WITH GUIDE 2](#)

English

Datasheets & Catalog Pages

[Rail D-Sub Backshells Flyer](#)

English