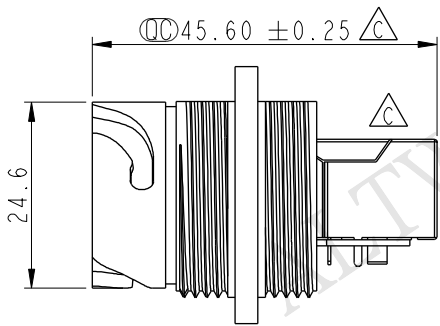
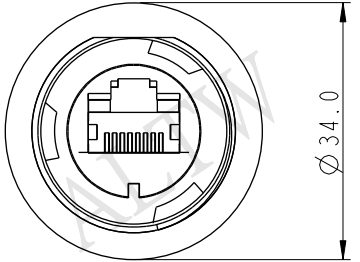
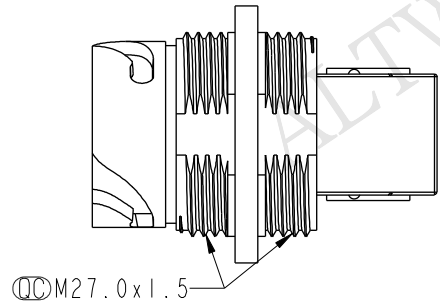
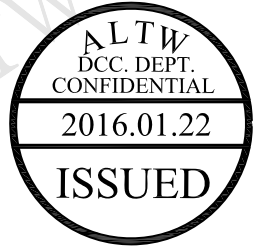
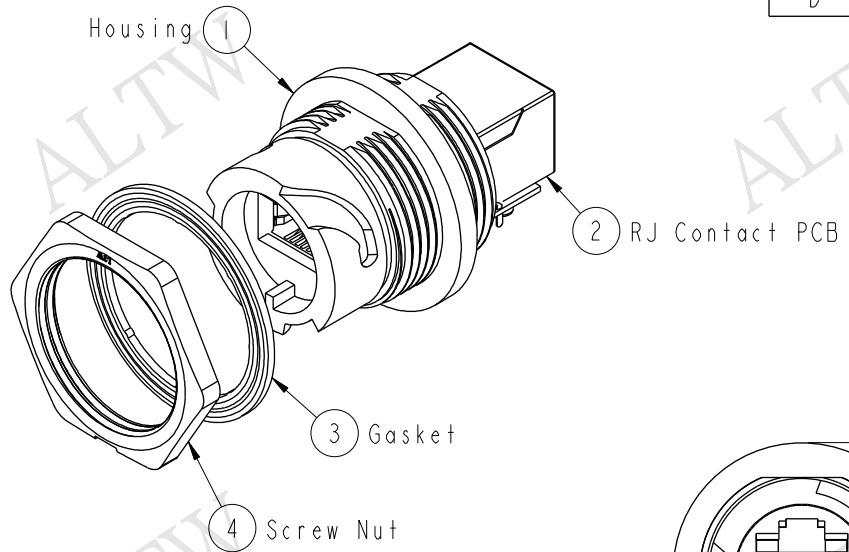
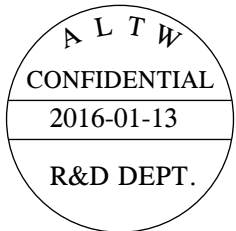
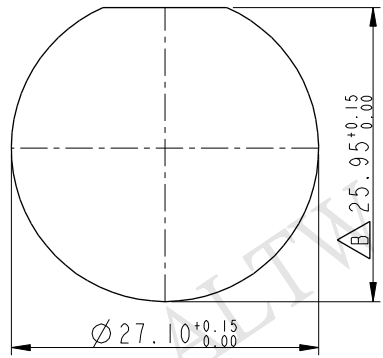


REV.	ECN NO.	DATE	SIGN	DESCRIPTION
B	LEN1370003	2013/07/06	Cary	Change Note & Panel Cut-out
C	LEN13A0045	2013/10/15	Raison	Modify Jack PN, Note Panel THK
D	LEN1610282	2016/01/13	Ruru	Change Note



Recommended Panel Cut-out



Note:

- * (CC) Important Dimension
- * Waterproof Rate: IP67 (Unmated Waterproof)
- * Housing: Nylon+GF, BLACK
- * RJ45 Jack: Cat 5e, Shield
- * (D) Gasket: Silicone, UL 94V-0, Black
- * Screw Nut: Nylon+GF, BLACK
- * Contact: Phosphor Bronze, Gold Flash Over Nickel
- * (C) For Panel Thickness Max: 3.0mm
- * (B) Screw torsion value range: 8~15kgf-cm
- * (B) Temperature Range: -40°C to 105°C
- * (B) All Parts Should Meet RoHS Compliant.

UNIT: mm		
TOLERANCE	.X ±0.25	
	.XX ±0.1	
	.XXX ±0.05	
ANGLES	±1°	

TITLE RJ45 ODVA, PANEL, DOUBLE LOCK Unmating Waterproof			
SCALE 1:1	SIZE A4	SHEET 1 OF 1	
REV. D	WC-REV. A.3	(CC): Inspection item	

Amphenol LTW
安費諾亮泰企業股份有限公司

ITEM NO. ROP-5SDFFH-TCU7001	DRAWN BY Ruru	DATE 2016-01-13
DWG NO. ROP-5SDFFH-TCU7001	CHECKED BY Rita	DATE 2016-01-13
CUSTOMER ALTW	APPROVED BY Lisa	DATE 2016-01-13

THIS DOCUMENT IS SUBJECT TO CHANGE WITHOUT NOTICE. IT IS CONFIDENTIAL AND A PROPERTY OF Amphenol LTW. DISCLOSURE TO THIRD PARTY HAS TO BE AUTHORIZED BY Amphenol LTW.