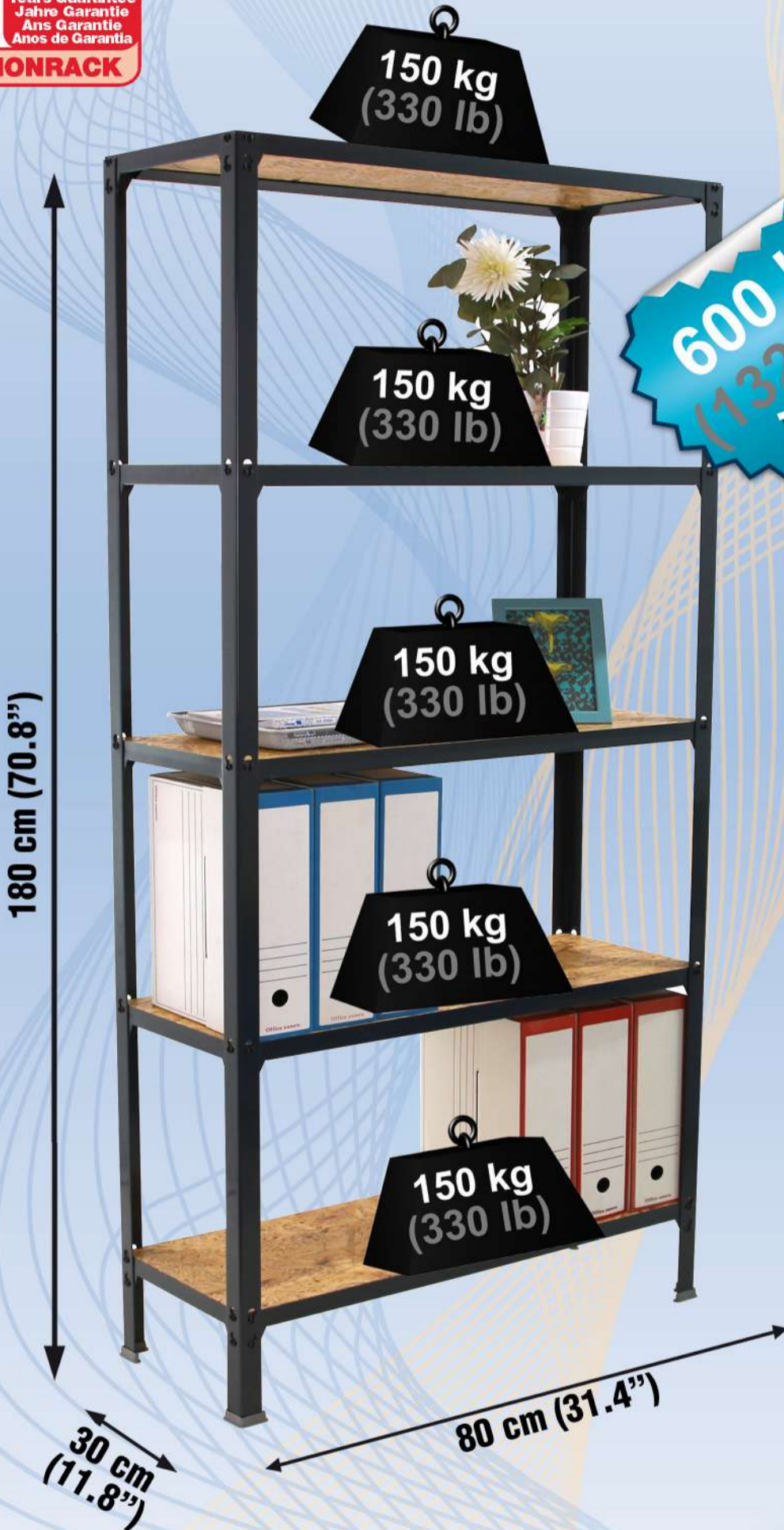


# HOMECLICK WOOD

180 x 80 x 30 cm (70.8" x 31.4" x 11.8")

## MINI 5/300

**5** Años Garantía  
Years Guarantee  
Jahre Garantie  
Ans Garantie  
Anos de Garantia  
**SIMONRACK**



**600 kg**  
(1322 lb)  
Total



**Simon  
Rack**

SINCE 1964 - MANUFACTURER

\*MEDIDAS EN USO USED MEASUREMENTS  
MASSNAHMEN IM EINSATZ MESURES EN EMPLOI MEDIDAS EM USO:  
1810 x 910 x 310 mm (71.2" x 35.8" x 12.2")



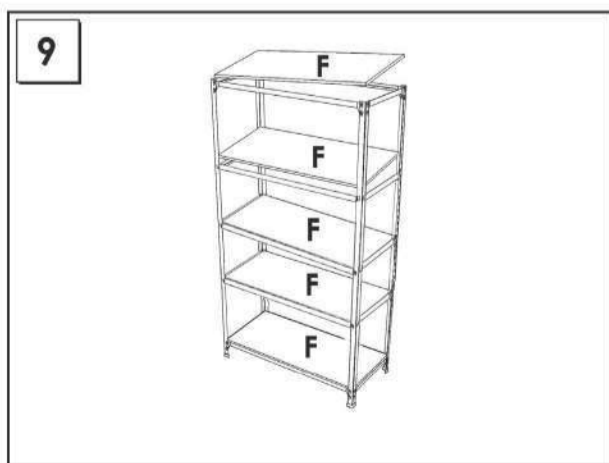
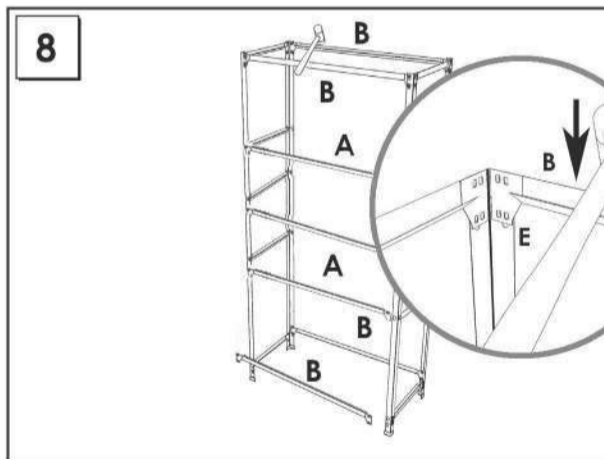
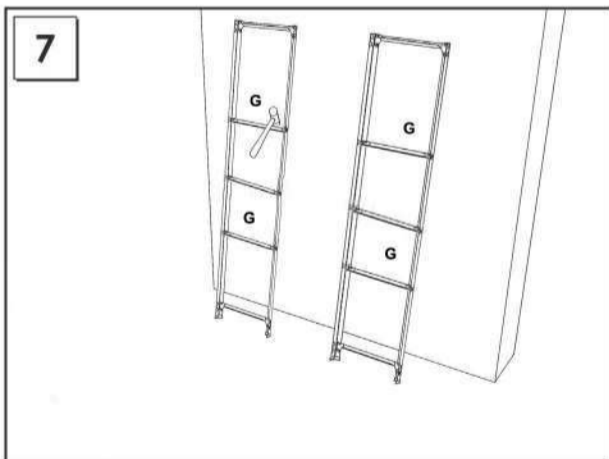
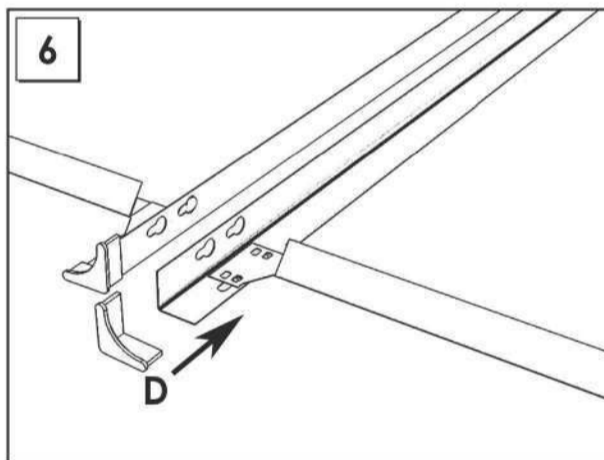
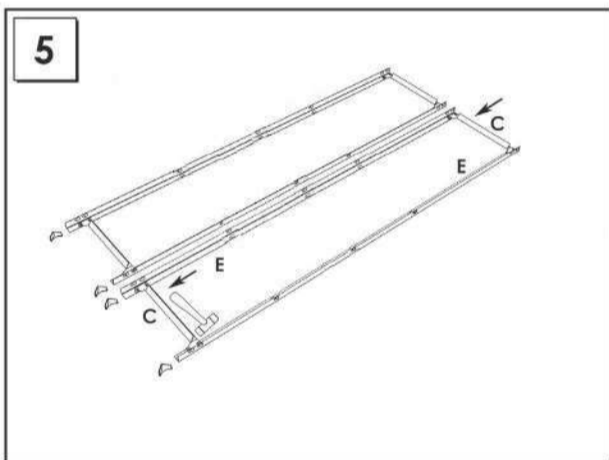
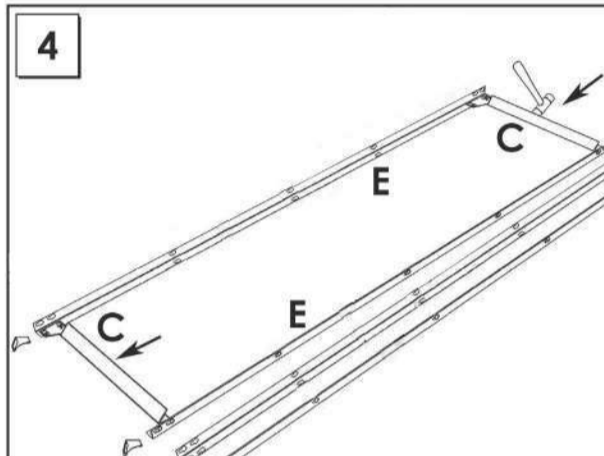
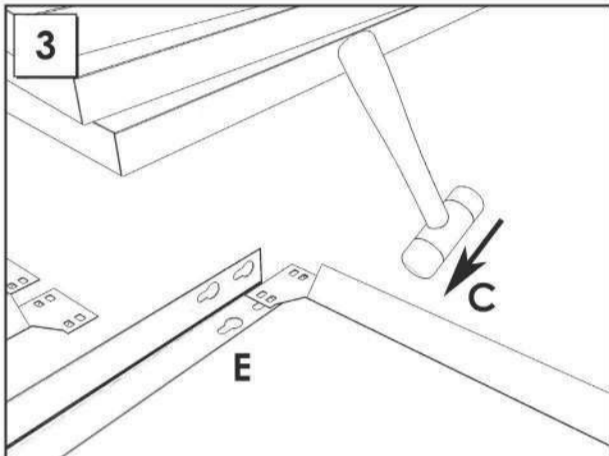
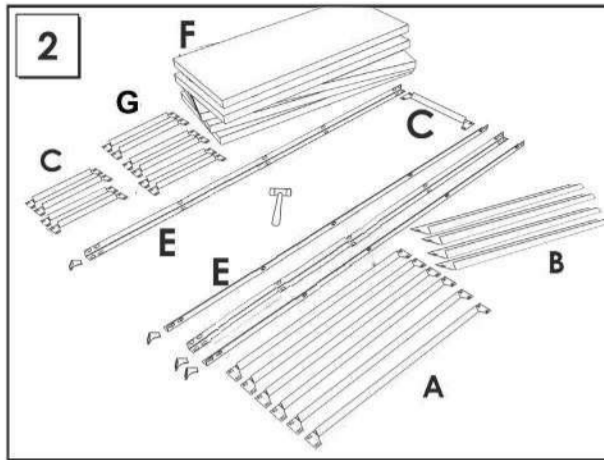
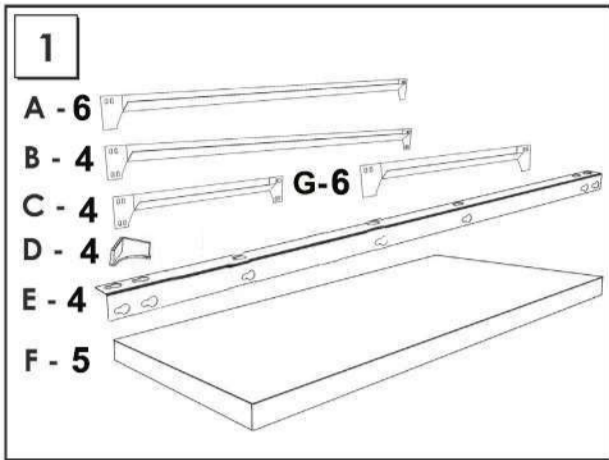
ESTANTERIAS SIMON S.L. B.50.556.463  
PG. ALFAMEN C/ POLIGONO C, N°3  
ALFAMEN (ZARAGOZA)



[www.simonrack.com](http://www.simonrack.com)



INSTRUCTIONS



**SIMONCLASSIC**



**SIMONCLICK**



**SIMONTALLER**



**SIMONAUTO**



**SIMONWORK**



**SIMONLOCKER**



**SIMONOFFICE**



**SIMONHOME**



**SIMONGARDEN**



**SIMONTITÁN**



**SIMONINOX**



**SIMONINDUSTRIAL**

**SIMONPALET**



**SIMONLEVER**



ALTILOS Y PASILLOS ELEVADOS  
PLATFORMS AND MEZZANINES  
LAGERBÜHNEN • PLATES-FORMES ET MEZZANINES

