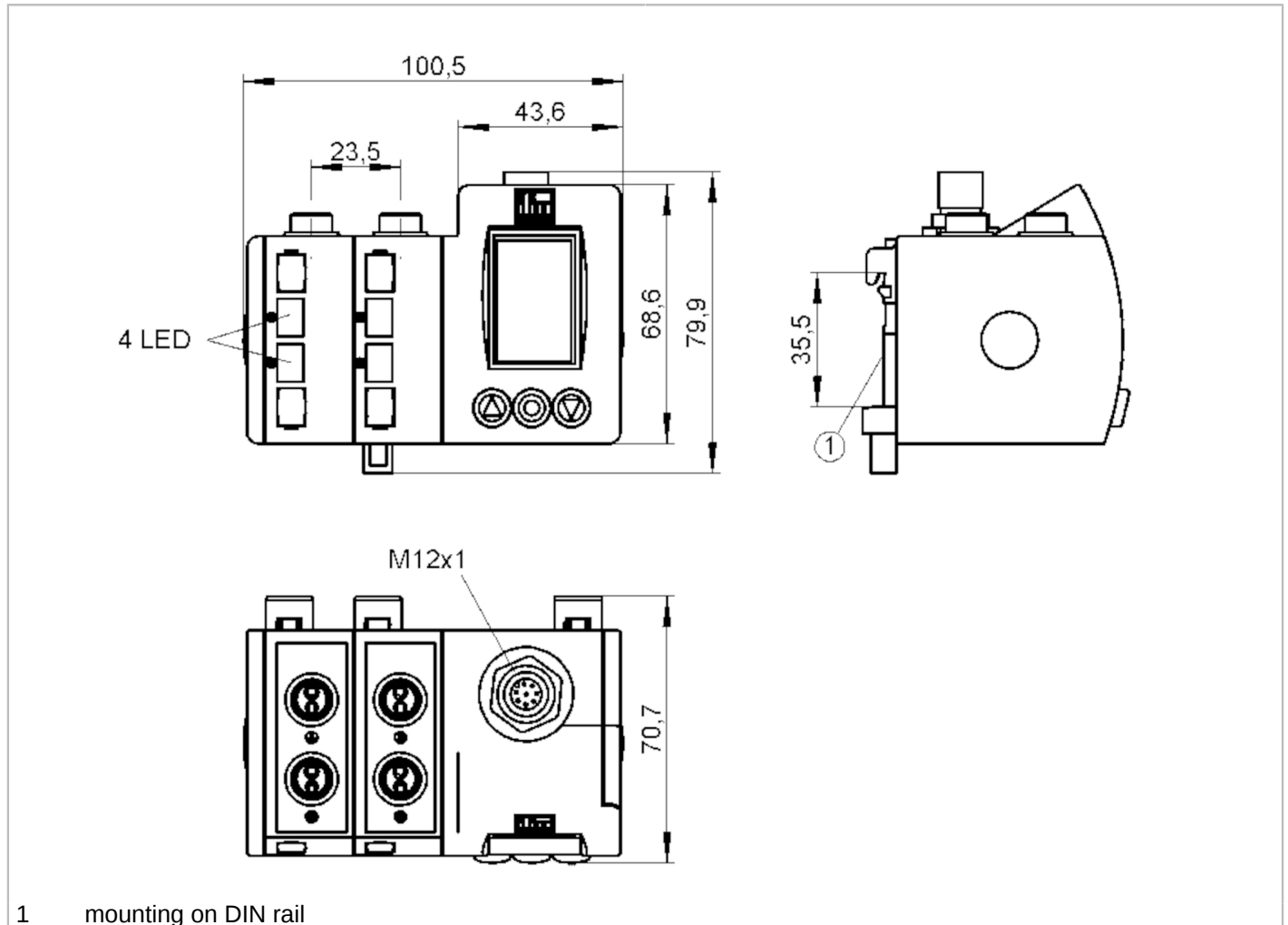




Fibre-optic amplifier

OO5-FPKG/M12/GL4



1 mounting on DIN rail



Product characteristics

Type of light	red light
Housing	rectangular
Dimensions [mm]	79.9 x 100.5 x 70.7

Application

Special feature	Function check output
-----------------	-----------------------

Electrical data

Operating voltage [V]	12...36 DC
Current consumption [mA]	50; ((24 V))
Max. power consumption [VA]	1.2
Protection class	III
Reverse polarity protection	yes
Type of light	red light
Wave length [nm]	630



Fibre-optic amplifier

OO5-FPKG/M12/GL4

Outputs		
Electrical design		PNP
Output function		light-on/dark-on mode; (programmable)
Max. voltage drop switching output DC	[V]	2
Function check output		yes
Max. current load for function check output	[mA]	200
Permanent current rating of switching output DC	[mA]	200
Switching frequency DC	[Hz]	1500
Notes on switching frequency		typical
Short-circuit protection		yes
Type of short-circuit protection		pulsed
Overload protection		yes
Time function	[s]	0.001...0.1
Detection zone		
Range	[m]	< 0.4; (Through-beam sensor)
Range	[mm]	0...200; (Diffuse reflection sensor)
Range adjustable		yes
Software / programming		
Parameter setting options		automatic and manual switch point setting; logic functions AND, OR; second switch point
Operating conditions		
Ambient temperature	[°C]	-20...60
Protection		IP 65
Tests / approvals		
EMC	EN 60947-5-2	
	EN 55011	class B
Mechanical data		
Weight	[g]	508.5
Housing		rectangular
Dimensions	[mm]	79.9 x 100.5 x 70.7
Number of channels		4
Fibre optic connection		FE-00 / FT-00
Materials		housing: ABS; display window: PMMA; LED window: SEPS; cover: diecast zinc plastic coated (PA)
Lens alignment		side lens
Displays / operating elements		
Display		full graphic LCD display, rotation of the display by 180° possible language selection (German, English, French)
	switching status	4 x LED, yellow
Electronic lock		yes
Accessories		
Accessories (supplied)		rail: 1 x x 89 mm, EN 60715



Fibre-optic amplifier

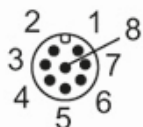
OO5-FPKG/M12/GL4

Remarks

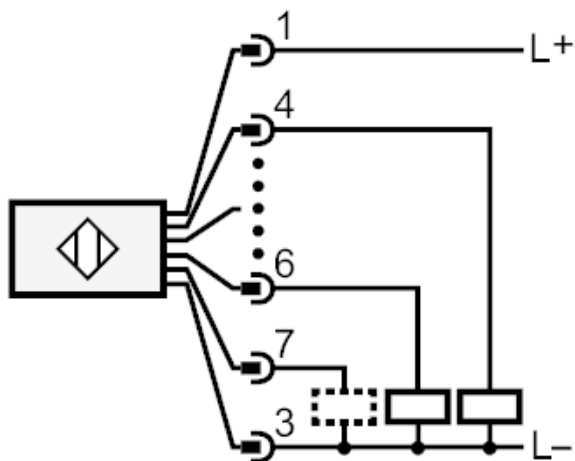
Remarks	operating voltage "supply class 2" according to cULus
Pack quantity	1 pcs.

Electrical connection

Connector: 1 x M12



Connection



- 4: Out 1
- 2: Out 2
- 5: Out 3
- 6: Out 4

7 Function check output