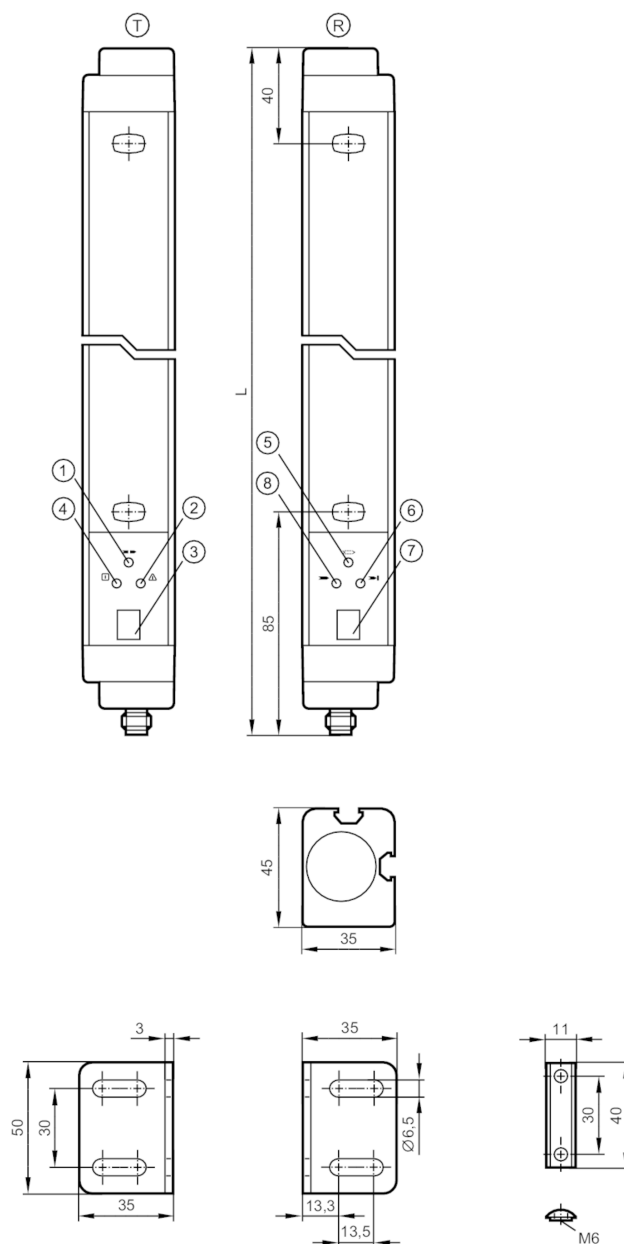


# OY826S



## Safety light curtain

OYA0760-40-4-18-P-1-B



- T transmitter
- R receiver
- 1 LED yellow
- 2 LED red
- 3 7-segment LED display
- 4 LED green
- 5 LED yellow
- 6 LED red
- 7 7-segment LCD display
- 8 LED green



### Product characteristics

|                 |                |
|-----------------|----------------|
| Type of light   | infrared light |
| Dimensions [mm] | 861 x 35 x 45  |



## Safety light curtain

OYA0760-40-4-18-P-1-B

| Application                                  |      |  |
|--|------|--|
| Protective function                          |      | access prevention hand protection              |
| Electrical data                              |      |  |
| Operating voltage tolerance                  | [%]  | 20   |
| Operating voltage                            | [V]  | 24 DC  |
| Protection class                             |      | III  |
| Reverse polarity protection                  |      | yes  |
| Power-on delay time                          | [s]  | < 18   |
| Type of light                                |      | infrared light                                 |
| Wave length                                  | [nm] | 950  |
| Receiver                                     |      |  |
| Current consumption                          | [mA] | 125  |
| Transmitter                                  |      |  |
| Current consumption                          | [mA] | 83   |
| Outputs                                      |      |  |
| Electrical design                            |      | PNP  |
| Number of OSSD outputs                       |      | 2  |
| Max. current load per OSSD output            | [mA] | 500; (24 V)                                    |
| Short-circuit protection                     |      | yes  |
| Detection zone                               |      |  |
| Protected area height                        | [mm] | 760  |
| Resolution (detection capacity d)            | [mm] | 40   |
| Protection area width (low light intensity)  | [m]  | 0...6  |
| Protection area width (high light intensity) | [m]  | 3...18   |
| Floating blanking                            |      | yes  |
| Response times                               |      |  |
| Response time                                | [ms] | 9.5  |
| Operating conditions                         |      |  |
| Applications                                 |      | class C to EN 60654-1 weatherproof application |
| Ambient temperature                          | [°C] | 0...55   |
| Max. relative air humidity                   | [%]  | 95   |
| Protection                                   |      | IP 65  |
| Tests / approvals                            |      |  |
| EMC  |      | IEC 61496-1                                    |
| Shock resistance                             |      | IEC 61496-1                                    |
| Vibration resistance                         |      | IEC 61496-1                                    |

# OY826S



## Safety light curtain

OYA0760-40-4-18-P-1-B

| Safety classification                 |                  |
|---------------------------------------|------------------|
| ESPE type (IEC 61496-1)               | 4                |
| ISO 13849-1                           | category 4, PL e |
| IEC 61508                             | SIL 3            |
| IEC 62061                             | SIL cl 3         |
| Mission time TM [h]                   | 175200           |
| Safety-related reliability PFHD [1/h] | 1.2 E -08        |

| Mechanical data |                                    |
|-----------------|------------------------------------|
| Weight [g]      | 4800                               |
| Dimensions [mm] | 861 x 35 x 45                      |
| Materials       | housing: aluminium; front lens: PC |
| Length L [mm]   | 861                                |

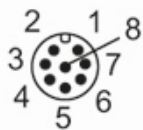
| Displays / operating elements |             |                       |
|-------------------------------|-------------|-----------------------|
| Display                       | transmitter | 3 x LED               |
|                               | transmitter | 7-segment LCD display |
|                               | receiver    | 3 x LED               |
|                               | receiver    | 7-segment LCD display |

| Accessories            |                     |
|------------------------|---------------------|
| Accessories (supplied) | mounting bracket: 4 |
|                        | slot nuts: 4        |
|                        | screws              |

| Remarks       |   |
|---------------|---|
| Notes         | For 8-pole sockets the core colours are not standardised.; Please note the wiring of the sensor and the sockets (see data sheet). |
| Pack quantity | 1 pcs.  |

### Electrical connection - receiver

Connector: 1 x M12; Maximum cable length: 100 m; for wire cross-section 0.34 mm<sup>2</sup>



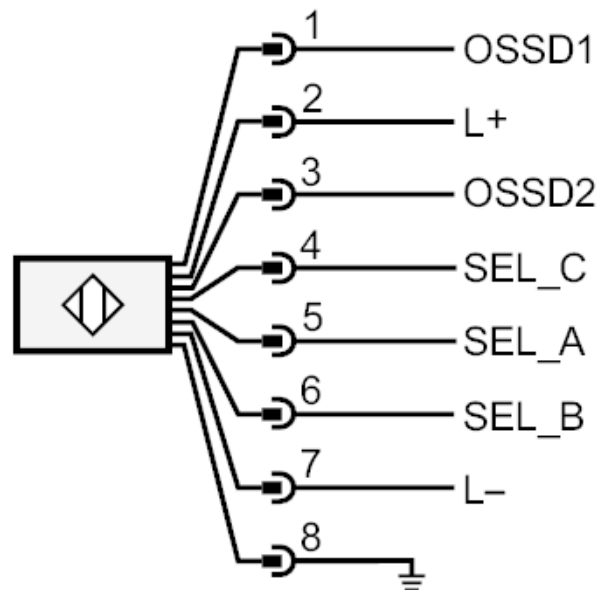
# OY826S



## Safety light curtain

OYA0760-40-4-18-P-1-B

### Connection



### Electrical connection - transmitter

Connector: 1 x M12



# OY826S



## Safety light curtain

OYA0760-40-4-18-P-1-B

### Connection

