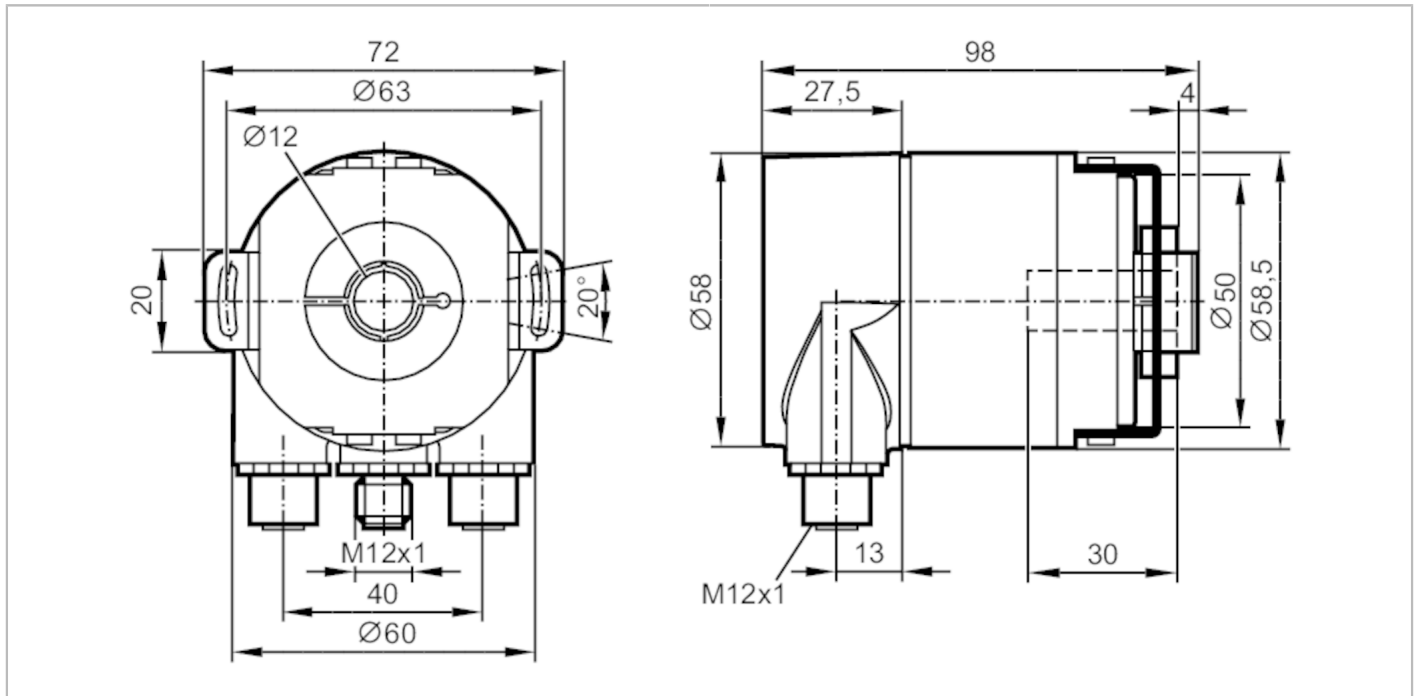


# RM3010



## Absolute multiturn encoder with solid shaft

RM-0025-D24/E-U



Product characteristics	
Resolution	8192 steps; 4096 revolutions; 25 bit
Communication interface	ProfiNet-IO
Shaft design	hollow shaft open to one side
Shaft diameter [mm]	12
Application	
Function principle	absolute
Revolution type	multiturn
Electrical data	
Operating voltage [V]	10...30 DC
Current consumption [mA]	100; ((24 V))
Reverse polarity protection	yes
Outputs	
Code	binary
Measuring/setting range	
Resolution	8192 steps; 4096 revolutions; 25 bit
Software / programming	
Parameter setting options	resolution per revolution; total resolution; direction of rotation; preset value; provision of a speed value; IP address
Addressing	Software
Interfaces	
Communication interface	ProfiNet-IO

# RM3010



## Absolute multiturn encoder with solid shaft

RM-0025-D24/E-U

Operating conditions		
Ambient temperature	[°C]	-40...85
Max. relative air humidity	[%]	98
Protection		IP 67; (IP 67: on the housing; IP 67: on the shaft)

Tests / approvals		
Shock resistance		100 g (6 ms)
Vibration resistance		10 g (10...1000 Hz)
MTTF	[years]	65

Mechanical data		
Weight	[g]	605
Dimensions	[mm]	Ø 58.5 / L = 98
Materials		aluminium; clamping ring: brass
Max. revolution, mechanical	[U/min]	12000
Shaft design		hollow shaft open to one side
Shaft diameter	[mm]	12
Shaft material		steel (1.4104)
Max. shaft load axial (at the shaft end)	[N]	40
Max. shaft load radial (at the shaft end)	[N]	110
Fixing flange		Stator coupling

Electrical connection - Ethernet	
1	Tx +
2	Rx +
3	Tx -
4	Rx -

Connector: 1 x M12



Electrical connection - voltage supply	
1	10...30 V DC
2	not used
3	GND 0 V
4	not used

Connector: 1 x M12

# RM3010

## Absolute multiturn encoder with solid shaft

RM-0025-D24/E-U

