

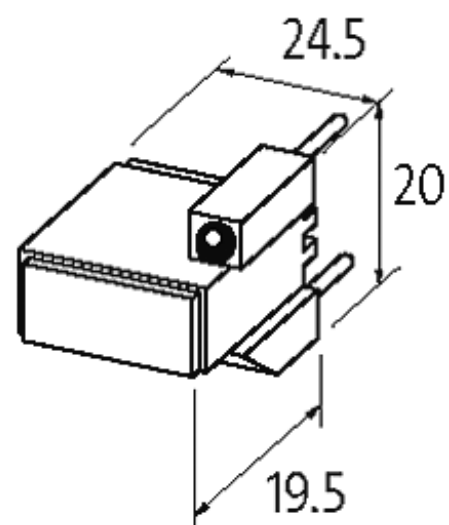
SIEMENS CONTACTOR SUPPRESSOR

Diode and LED, 24VDC

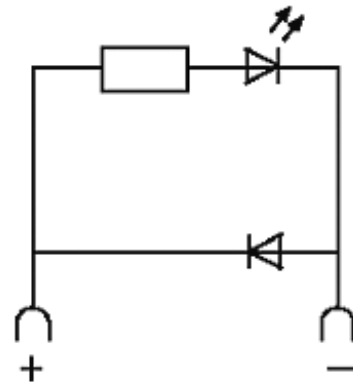
24 V DC

Diode + LED

For other configurations and voltages, please inquire

[Link to Product](#)**Illustration**

stay connected



Diode + LED

Product may differ from Image

Approvals



Appropriate contactors

3 TH 2; 3 TF 2; 3 TH 20; 3 TF 20

Technical Data

Damping factor	approx. 1.5 × UN
Material	Flame retardant plastic acc. to (UL 94)
Connection wires	self-securing cable forks

General data

Dimensions H × W × D	19.5×20×24.5 mm
Temperature range	-20...+70 °C

Commercial data

country of origin	CZ
customs tariff number	85363010
minimum order quantity	1