

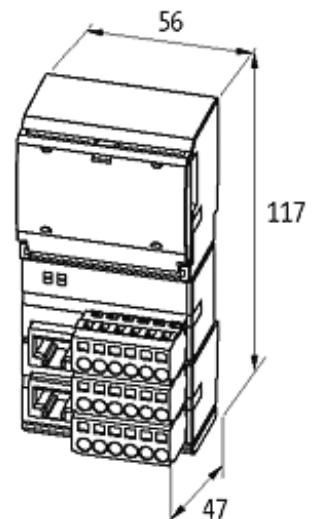
CUBE20 BN-PNIO DI8

Bus Nodes
DI8 - (BN-PNIO)
PROFINET IO

For connection cables please see chapter "Connection Technology"

[Link to Product](#)

Illustration



Product may differ from Image

Approvals



More Info



Input

Sensor supply US	24 V DC (EN 61131-2), max. 700 mA per module
Type	PNP (EN 61131-2)
Input filter	1 ms
Galvanic isolation	500 V DC between I/O and system electronics

Connections

Fieldbus	2 × RJ45 (female)
Sensor-system/actuator supply	4 × Spring clamp terminals, max. 2.5 mm ² (max. 12 A)
I/O ports	8 × Spring clamp plug-in terminals, max. 2.5 mm ²

Fieldbus

Operating modes	Autonegotiation/Auto MDI/MDI-X
Transfer rate	to 100 Mbit/s Full Duplex
Addressing	Name assignment via PROFINET
I/O capacity	with modular expandability by up to 15 Cube-modules

General data

Protection	IP20
Mounting method	DIN-rail mountable (EN 60715)
Temperature range	0...+55 °C (storage temperature -20...+85 °C)
Dimensions H × W × D	117×56×47 mm

Parameterization

Terminal row X2 (4 channels)	Input
Terminal row X3 (4 channels)	Input

Module Supply

Operating voltage	24 V DC (EN 61131-2)
Sensor-system/actuator supply	via terminal UB
Current consumption	max. 150 mA

Diagnostic

Communication status	per LED and BUS
Diagnostic via LED	per module
Diagnostic via BUS	per module and channel

Monitoring - under voltage	yes
----------------------------	-----

Monitoring - no voltage	no
-------------------------	----

Short circuit and overload	yes
----------------------------	-----

Commercial data

country of origin	DE
-------------------	----

customs tariff number	85176200
-----------------------	----------

minimum order quantity	1
------------------------	---