



CE

Model Number

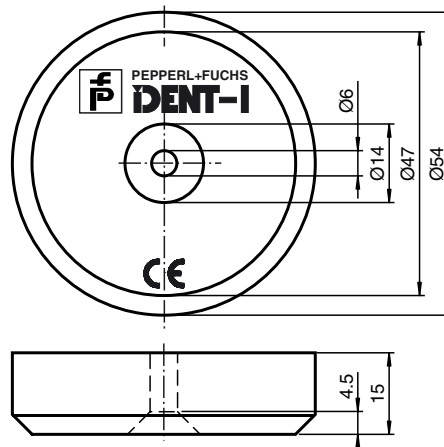
IPC03-54-T8

Data carrier

Features

- Battery-free data carrier
- 32 bit fixcode
- 928 bits memory available
- Readable and writable from both sides
- With extended temperature range up to 120 °C (248 °F)
- Degree of protection IP67
- Mounting holes for simple installation

Dimensions



Technical data

General specifications

Operating frequency	125 kHz
Transfer rate	2 kBit/s
Distance	distance tables, see introduction

Memory

Type/Size	EEPROM 928 Bit ROM 32 Bit
Read cycles	unlimited
Write cycles	> 100000
Data retention period	10 years at 55 °C (131 °F)

Ambient conditions

Ambient temperature	-40 ... 120 °C (-40 ... 248 °F)
Storage temperature	-40 ... 120 °C (-40 ... 248 °F)

Mechanical specifications

Degree of protection	IP67 according to EN 60529
Material	
Housing	Polyurethane (PUR)

Compliance with standards and directives

Directive conformity	
R&TTE Directive 1995/5/EC	EN 300330-2:2010 V1.5.1
Standard conformity	
Degree of protection	EN 60529:2000

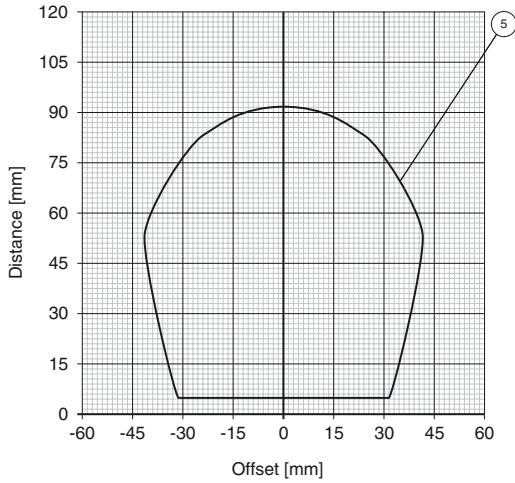
Notes

The transponder can be read and written from either side.

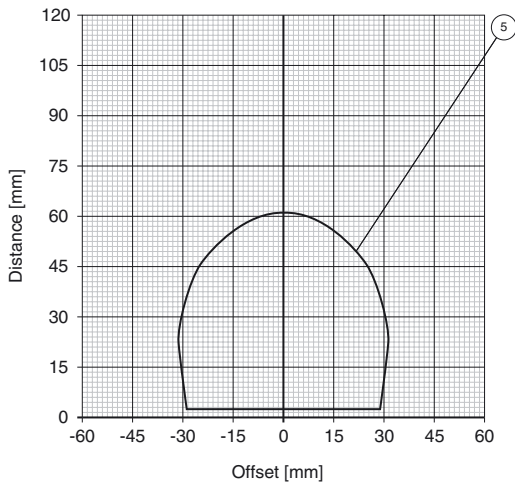
Read/write distances

- ① IPH-18GM-V1 ③ IPH-F61 ⑤ IPH-FP-V1 ⑦ IPT1-FP-V1
- ② IPH-30GM-V1 ④ IPH-L2-V1 ⑥ IPH-F15-V1

Reading range in air IPC03-54T8



Reading range on steel IPC03-54T8



Release date: 2014-03-20 16:00 Date of issue: 2014-03-24 122873_eng.xml