

1 Products affected

Product hierarchy no. *				Part no.	SBU	Type / Description	Customer part no.
SBU	PG	PUG	Type				
02	005	016	0000001306	See list below	Connectors	DG11	

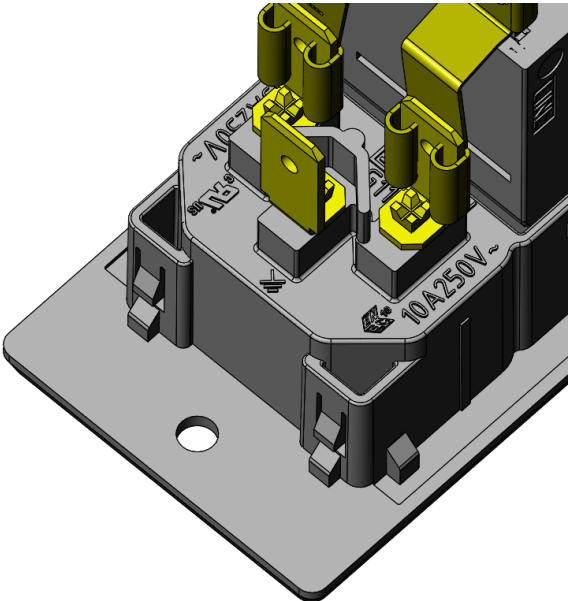
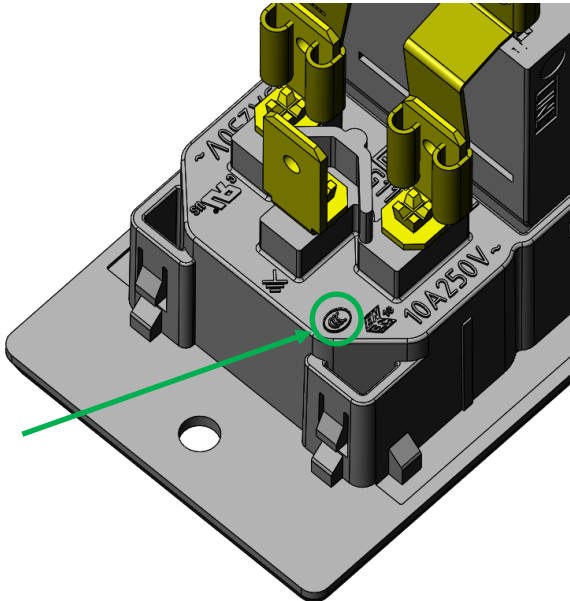
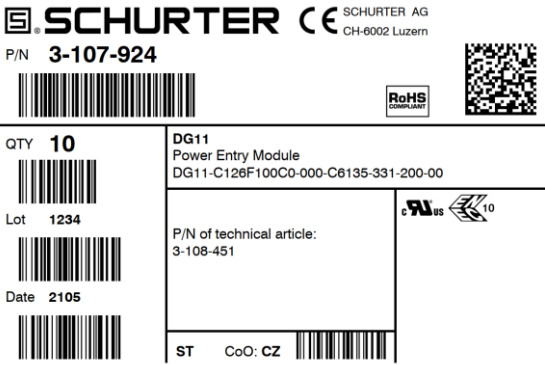
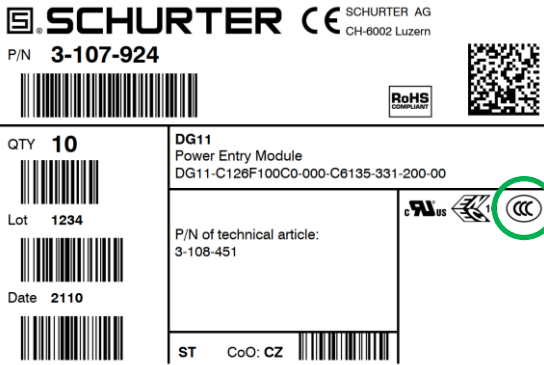
*SBU (2-digit) / PG (3-digit) / PUG (3-digit) / Type (10-digit)

List of part numbers affected				
3-107-924	3-109-714	3-109-718	3-124-227	3-130-512
3-108-454	3-109-715	3-109-719	3-124-229	3-130-606
3-108-463	3-109-716	3-121-717	3-126-013	3-130-877
3-109-713	3-109-717	3-124-075	3-129-175	

2 Type of change

DG11 new with CCC-Approval on socket and label

3 Detailed description of change

Old product approval	New product approval
	
Old label	New label
	

4 Reason of change

DG11 has received CCC-Approval

Product Change Notification					PCN DG11		
owner	creation date	release date	released by	change order no	rev	page	D10-055-659
huberth	25.02.2021	25.02.2021	muehlema	2021541	A	1 of 2	

5 Release date

The change takes effect in ww 10/2021 (Date code 2110 or higher on label).

6 Impact of change and recommended action

Form	Yes	Socket new with CCC-Approval
Fit	No	No change for dimension
Function	No	No change in function
Manufacturing	No	No change for manufacturing site
Label	Yes	Label new with CCC-Approval
Packaging	No	No change in packaging

7 Reference Documents / Attachments

Kind of document	Remarks
Data Sheet DG11	

Product Change Notification					PCN DG11		
owner	creation date	release date	released by	change order no	rev	page	D10-055-659
huberth	25.02.2021	25.02.2021	muehlema	2021541	A	2 of 2	