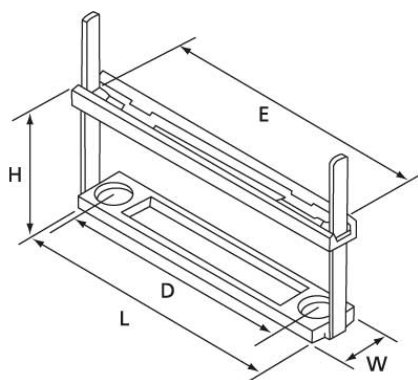




# Ty-Rap®

## FCC-2A

This system allows the secure and neat fixing of between 1 and 25 ribbon cables. The clamp height adapts accurately to the desired number of ribbon cables. An interesting feature is the fact these clamps are re-openable for later addition or removal of a cable.



**T&B Catalog Number:** FCC-2A  
**EAN Number:** 05414363074670  
**UPC Number:** 78621096749  
**Description:** Cable clamp, for flat cables, self-adhesive / screw mounting, natural Polyamide 6.6

### Technical Information

Type	Cable clamp
Mounting Method	self-adhesive / screw
Accessorie Style	for flat cables
Material	Polyamide 6.6
Temperature Range	-40°C to +85°C
Flammability Rating	UL 94 V-2
Colour	natural
Halogen free	yes
Silicone free	yes

### Ordering Information

D (mm)	39.1
E (mm)	50.8
H (mm)	8.8 - 36
L (mm)	57.9
W (mm)	12.7
Screw Type	countersunk M4
Quantity (pieces)	50
Weight (g/100)	390

For additional information, please contact our customer service. Phone: +32 (0) 64 88 63 88 - Fax: +32 (0) 64 88 65 50